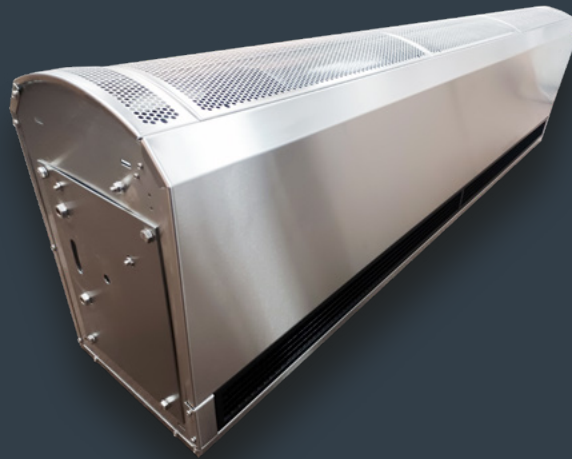




# HE Series.

Exceptional performance for harsh environments.



Designed and engineered to maintain climate separation down to 2 degrees Celsius. The **HE** (Harsh Environments) air curtain is one of the most advanced solutions available in the market. Very powerful and highly efficient, the **HE** delivers exceptional performance and outstanding energy savings. Made from brushed stainless steel, the unit is easy to clean in the harshest environments. Designed for use in harsh environments the HE is available in 2 variants the **HE** and **HE Max**, for when greater air velocity or a higher mounting is needed.

#### Sizes (Width)

1m, 1.5m, 2m (2m vertical)

#### Mounting Height

Horizontal: Up to 4m high  
Vertical: Up to 3m wide

#### Colour

Brushed Stainless Steel

#### Warranty

2 years

## Key features.



Ambient



Energy Savings



Reduce flying insects



ErP compliant

- Energy savings – Saves energy and operational costs by preventing the cold air escaping and the warm air entering the area
- Protecting the goods - There is no change in temperature, ensuring your goods are reliably protected
- Unhindered access to goods and refrigerated areas due to the removal of doors and strip curtains
- Prevents flying insects entering the area due to the volume and velocity of the air
- Easy to control via companion App
- Autonomous controls – the unit will work autonomously after set up
- Horizontal and Vertical units available
- Additional BMS interface available for central control options
- Max version available for applications which require greater velocity
- IP66 Rated – Suitable for chemical cleaning



[www.thermoscreens.com](http://www.thermoscreens.com)

# HE Horizontal Series.

## Surface Mounted.



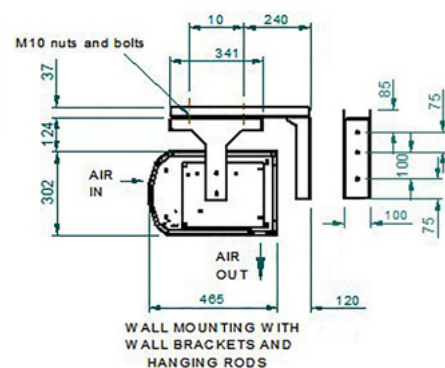
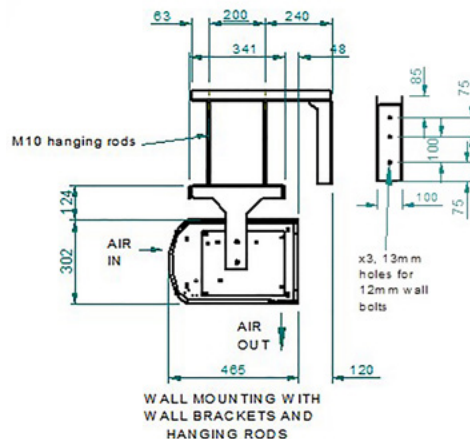
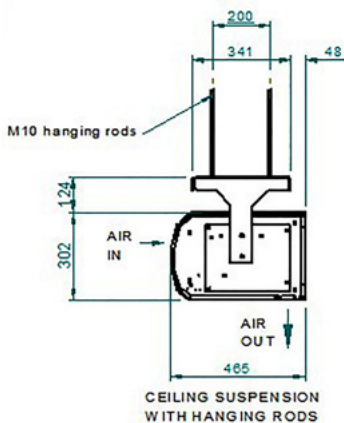
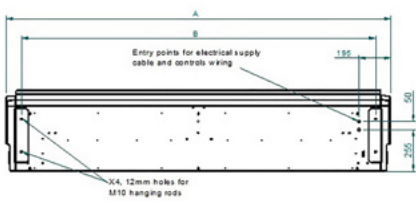
### HE Max | Harsh Environments Max

Model	Dimensions (L x W x D) (mm)	Electrical supply (V/ph/Hz)	Rated Electrical Power Input (W)	Rated Current (Amp)	Air Volume Flow Rate Min - Max (m3/h)	Specific Fan Power Min - Max (W/l/s)	Effective Width Of Airstream (m)	Max Mounting Height (m)	Weight (kg)	Noise Level Min - Max dB(A) @3m
<b>Ambient</b>										
HE1000 Max	1184 x 465 x 302	230/1/50	430	1.8	900-2250	0.20-0.70	1.1	4	60	52-70
HE1500 Max	1710 x 465 x 302	230/1/50	630	2.7	1450-3400	0.23-0.69	1.63	4	70	53-71
HE2000 Max	2235 x 465 x 302	230/1/50	820	3.5	2000-4500	0.25-0.69	2.15	4	85	54-72

### HE | Harsh Environments

Model	Dimensions (L x W x D) (mm)	Electrical supply (V/ph/Hz)	Rated Electrical Power Input (W)	Rated Current (Amp)	Air Volume Flow Rate Min - Max (m3/h)	Specific Fan Power Min - Max (W/l/s)	Effective Width Of Airstream (m)	Max Mounting Height (m)	Weight (kg)	Noise Level Min - Max dB(A) @3m
<b>Ambient</b>										
HE1000	1184 x 465 x 302	230/1/50	167	0.78	377-1597	0.08-0.38	1.1	2.4	60	52-70
HE1500	1710 x 465 x 302	230/1/50	250	1.1	580-2254	0.08-0.39	1.63	2.4	70	53-71
HE2000	2235 x 465 x 302	230/1/50	331	1.41	777-2988	0.08-0.40	2.15	2.4	85	54-72

	HE1000	HE1500	HE2000
A (mm)	1185	1710	2235
B (mm)	1119	1644	2169
C (mm)	1116	1641	2166



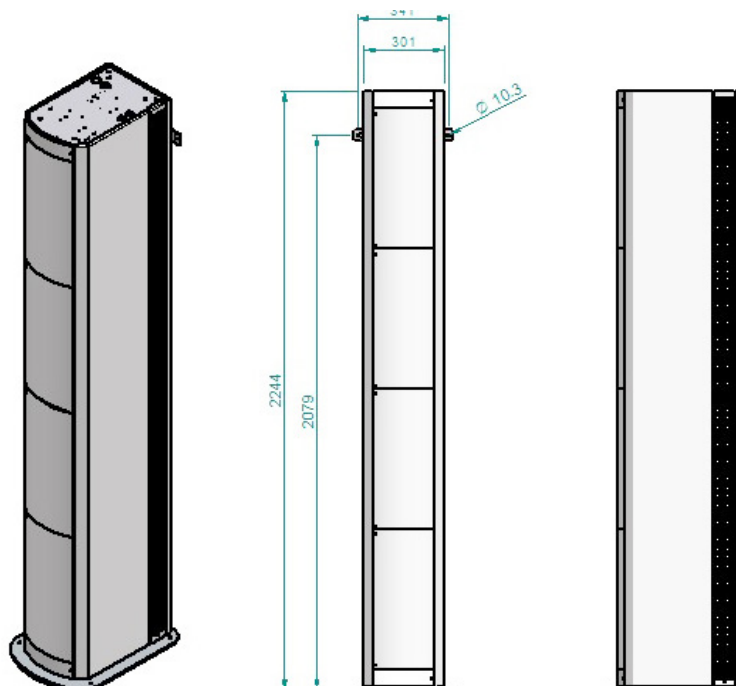
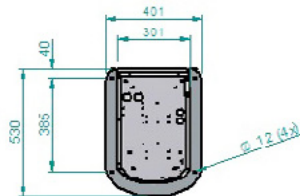
# HE Vertical Series.

Surface Mounted.

HE Max   Harsh Environments Vertical										
Model	Dimensions (L x W x D) (mm)	Electrical supply (V/ph/Hz)	Rated Electrical Power Input (W)	Rated Current (Amp)	Air Volume Flow Rate Min - Max (m3/h)	Specific Fan Power Min - Max (W/l/s)	Effective Width Of Airstream (m)	Max Door Width (m)	Weight (kg)	Noise Level Min - Max dB(A) @3m
<b>Ambient</b>										
HE1000V Max	1185 x 485 x 348	230/1/50	430	1.8	900-2250	0.20-0.70	1.1	3	60	52-70
HE1500V Max	1710 x 485 x 348	230/1/50	630	2.7	1450-3400	0.23-0.69	1.63	3	70	53-71
HE2000V Max	2235 x 485 x 348	230/1/50	820	3.5	2000-4500	0.25-0.69	2.15	3	85	54-72

HE   Harsh Environments Vertical										
Model	Dimensions (L x W x D) (mm)	Electrical supply (V/ph/Hz)	Rated Electrical Power Input (W)	Rated Current (Amp)	Air Volume Flow Rate Min - Max (m3/h)	Specific Fan Power Min - Max (W/l/s)	Effective Width Of Airstream (m)	Max Door Width (m)	Weight (kg)	Noise Level Min - Max dB(A) @3m
<b>Ambient</b>										
HE1000V	1184 x 465 x 302	230/1/50	167	0.78	377-1597	0.08-0.38	1.1	2.6	60	52-70
HE1500V	1710 x 465 x 302	230/1/50	250	1.1	580-2254	0.08-0.39	1.63	2.6	70	53-71
HE2000V	2235 x 465 x 302	230/1/50	331	1.41	777-2988	0.08-0.40	2.15	2.6	85	54-72

HE2000V	
A	2244
B	2079
C	2079



Left Hand Side Version Shown

## Your environment is our expertise.

Thermoscreens were one of the pioneers of modern air curtain technology, and we remain at the forefront of its evolution today. Our sales team work hand-in-hand with an international network of distributors, providing solutions to customers of all types and sizes, in more than 50 countries. Across the globe, our name is synonymous with the highest quality standards; our products renowned for their energy efficiency, reliability and ease of use.

