

IP2 Series.

Industrial Performance Line.



IP2 air curtains combine highly efficient climate separation with sturdy design and technical innovation to deliver outstanding energy savings with minimal maintenance.

For maximum efficiency, our IP2 unit can be controlled via a contact switch. Whenever the door is opened the air curtain is activated and the thermal output increases. When the door is closed the air flow speed automatically decreases and thermal output stops. A time delay switch allows deactivation to set based on how frequently the door is used.

Sizes (Width) (Joining kits available)

IP2 - 1.5m, 2m, 2.5m

Mounting Height

Max. doorway height:
IP2 - 3 - 6M

Max. doorway width:
IP2 7.5M

Colour

Standard RAL 7016

Warranty

2 years

Key features.



Water



Ambient



Energy Savings



ErP compliant



Custom Paint

- Available as horizontal and vertical mounted units
- Ecopower Airflow Technology
- Patented Side Guard Technology
- Pressure chamber system for increased air speed and distribution
- Axial fans for improved airflow and reduced power consumption
- IP21 Rated
- Easy to maintain
- Door switch to maximise efficiency
- 1 and 2 row coil options

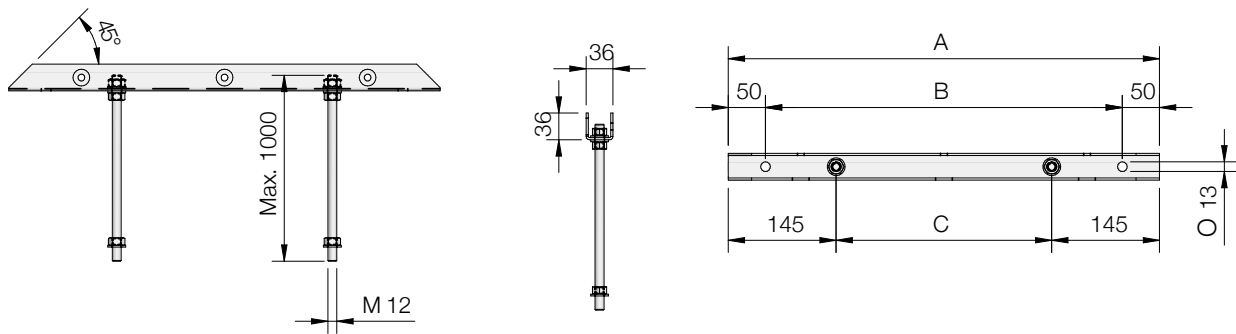
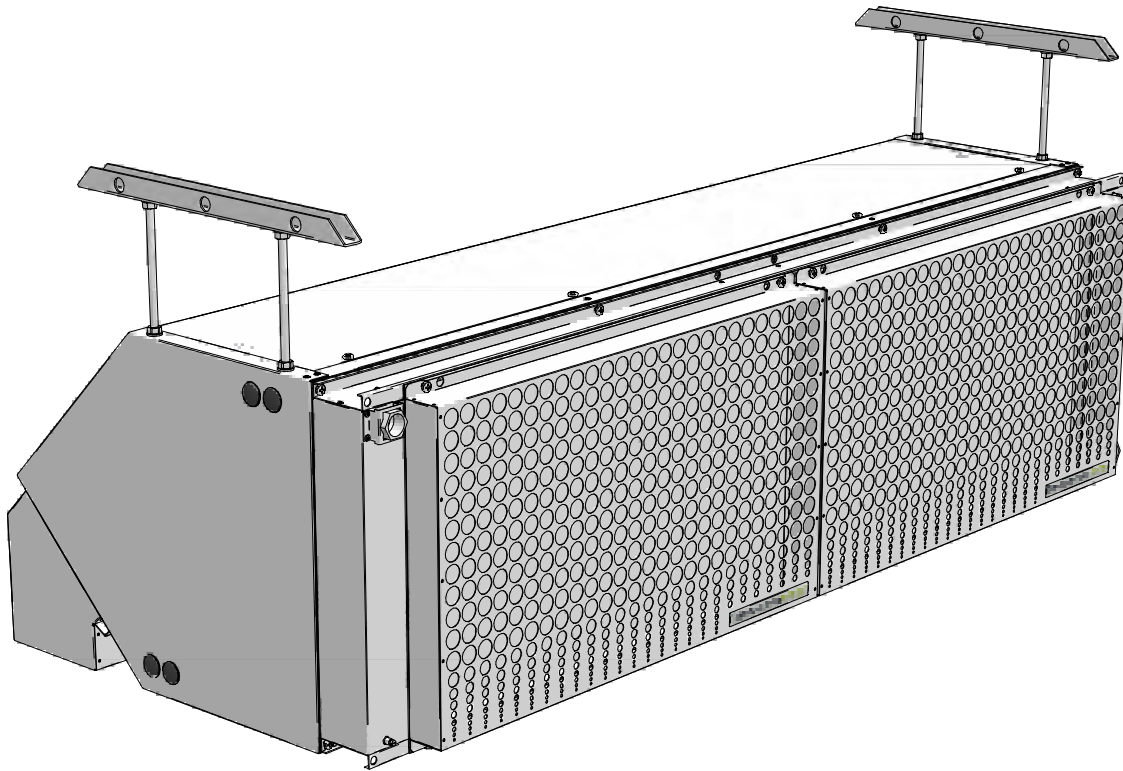


www.thermoscreens.com

IP2 Surface Mounted							
Model	Dimensions (L x W x D) (mm)	Electrical Supply (V/ph/Hz)	Loading Per phase (A)	Heat Output (kw)	Max air volume (m3/h)	Weight (kg)	Noise Level Min - Max dB(A) @5m
Water 1 row 80/60							
IP2-150-W	1500 x 938 x 583	230/1/50	3	13.3-30.6	1500-6738	92	24-60
IP2-200-W	2000 x 938 x 583	230/1/50	4	18.9-44.4	2008-8984	118	25-61
IP2-250-W	2500 x 938 x 583	230/1/50	5	24.5-58.2	2510-11230	144	26-62
Water 2 row 60/40							
IP2-150-W	1500 x 938 x 583	230/1/50	3	14.0-35.0	1500-6738	95	24-60
IP2-200-W	2000 x 938 x 583	230/1/50	4	20.1-50.8	2008-8984	123	25-61
IP2-250-W	2500 x 938 x 583	230/1/50	5	26.1-67.2	2510-11230	150	26-62
Ambient							
IP2-150-A	1500 x 938 x 583	230/1/50	3	-	1506-6738	78	24-60
IP2-200-A	2000 x 938 x 583	230/1/50	4	-	2008-8984	100	25-61
IP2-250-A	2500 x 938 x 583	230/1/50	5	-	2510-11230	123	26-62

IP2 Series.

Horizontal Installation.



	A	B	C
--	---	---	---

IP2 150(mm)	580	480	290
-------------	-----	-----	-----

Accessories

Part no.

Two suspension brackets (horizontal units only) xxx

Two coupling plates (vertical basic units only) xxx

Wall bracket (vertical basic units only) xxx

Additional Components Needed

Touch Controller xxx

Wall Controller xxx

Base plate (for vertical installation) xxx

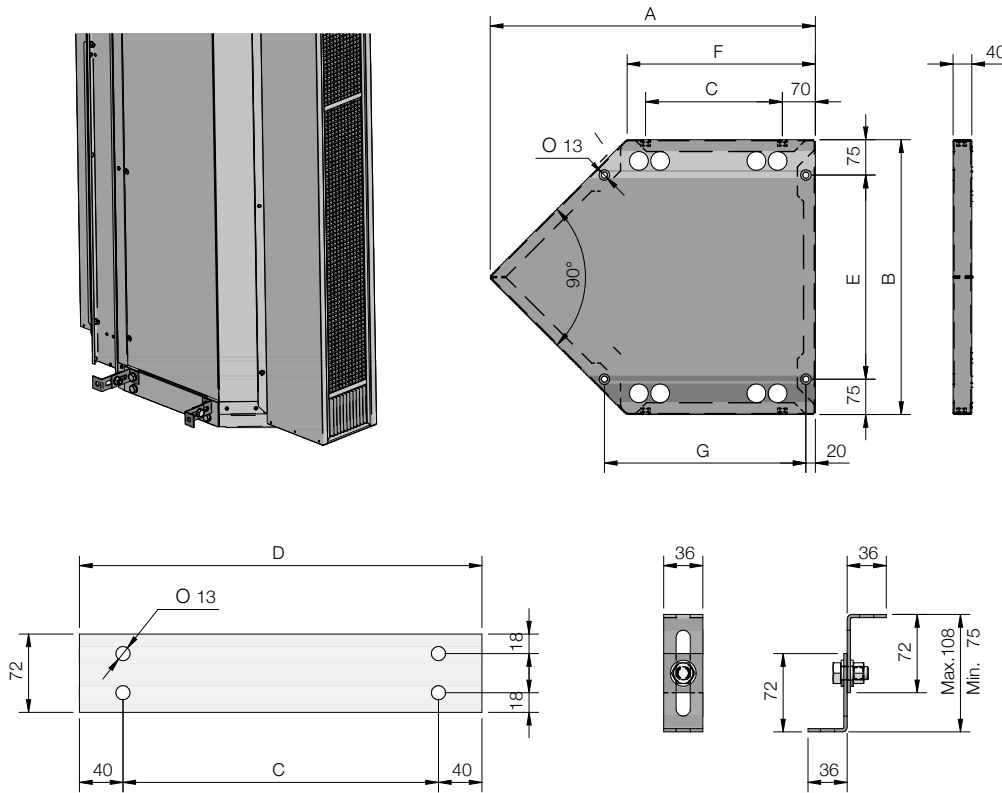
Optional

Filter module - for IP2S xxx

Flanges xxx

Side shields xxx

Index: The dimensions above display the installation components of the IP2. The horizontally mounted unit dimensions above display the measurements of the hanging bracket.



	A	B	C	D	E	F	G
IP2 150 (mm)	690	583	290	370	433	400	427

Index: The dimensions above display the installation components of the IP2. The vertically mounted unit dimensions above display the measurements of the base plate.

Your environment is our expertise.

Thermoscreens were one of the pioneers of modern air curtain technology, and we remain at the forefront of its evolution today. Our sales team work hand-in-hand with an international network of distributors, providing solutions to customers of all types and sizes, in more than 50 countries. Across the globe, our name is synonymous with the highest quality standards; our products renowned for their energy efficiency, reliability and ease of use.

