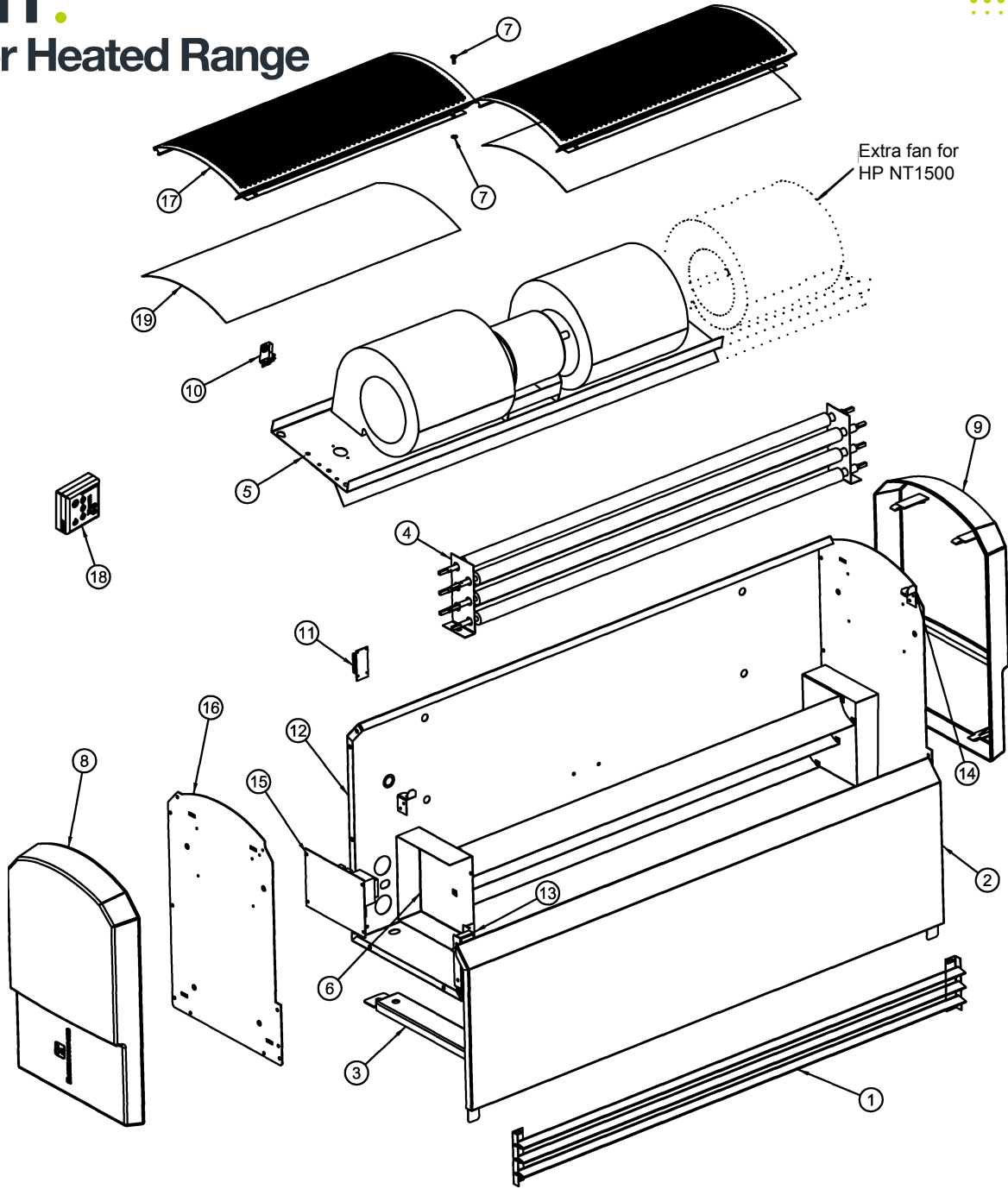


# C NT.

## Water Heated Range

### HP NT - ELECTRIC HEATED RANGE



Item No.	Description	HP1000NT - Part No.	HP1500NT - Part No.	HP2000NT - Part No.
1	OUTLET GRILLE	5332370	5332380	5332370
2	FRONT PANEL	6782470	6782480	6782490
3	WALL BRACKET	6532400	6532400	6532400
4	ELEMENT	7292212	7292230	7292212
5	FAN DECK ASSEMBLY	5252410	5252430	5252410
6	PLENUM ASSEMBLY	5772410	5772430	5772410
7	SCREW & WASHER	7362041 / 7392030	7362041 / 7392030	7362041 / 7392030
8	END CAP - LH	7661204	7661204	7661204
9	END CAP - RH	7661205	7661205	7661205
10	THERMAL CUT OUT	7851110	7851110	7851110
11	RJ SOCKET	5951010	5951010	5951010
12	BACK CASE	6022470	6022480	6022490
13	INFILL PIECE END BRACKET LH/RH	6341204 / 6341205	6341204 / 6341205	6341204 / 6341205
14	INLET PANEL RETAINER LH/RH	6341212 / 6341213	6341212 / 6341213	6341212 / 6341213
15	ECOPOWER BOARD	7263701	7263701	7263701
16	END PLATE	6862406	6862406	6862406
17	INLET GRILLE	5312470	5312470	5312470
18	ECOPOWER REMOTE CONTROL	7263630	7263630	7263630
19	FILTER	7402520	7402520	7402520