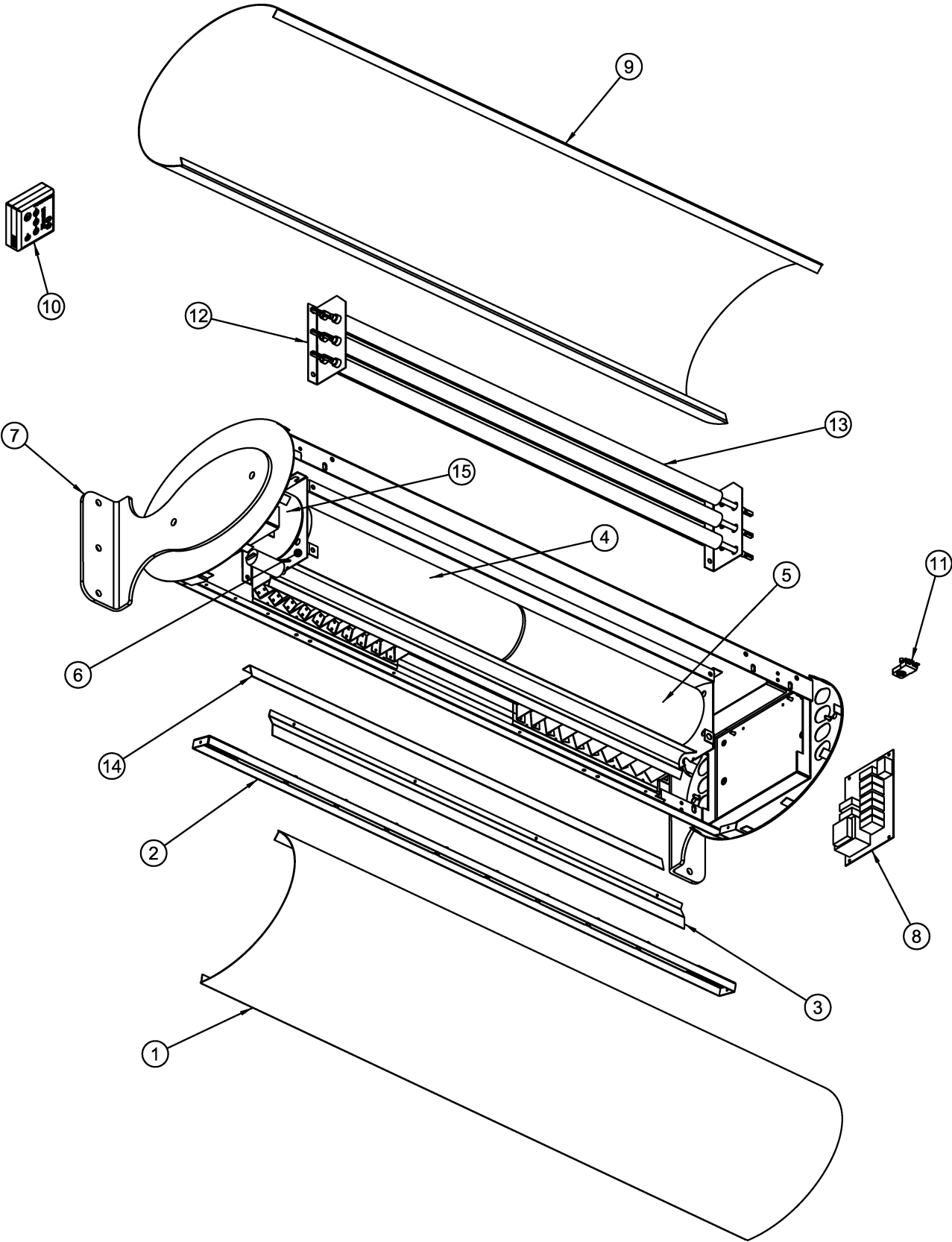




DESIGNER (HORIZONTAL) - ELECTF



DESIGNER (HORIZONTAL) - ELECTRIC HEATED RANGE

Item No.	Description	D1000E - Part No.	D1500E - Part No.	D2000E - Part No.
1	ACCESS PANEL	5061002	5062002	5063002
2	OUTLET GRILLE	5332905	5332906 / 5332907	5332908 / 5332909
3	UPPER DISCHARGE DEFLECTOR PLATE	6582510	6582520	6582510
4	MOTOR END IMPELLOR	7421240	7421251	7421240
5	DRIVEN END IMPELLOR	-	7421250	7421241
6	FAN DECK ASSEMBLY LH/RH	5252461	5252462	5252461/5252463
7	WALL BRACKET *	6811810	6811810	6811810
8	ECOPOWER BOARD	7263701	7263701	7263701
9	BACK PANEL	5061001	5062001	5063001
10	ECOPOWER REMOTE CONTROL	7263630	7263630	7263630
11	THERMAL CUT OUT	7851115	7851115	7851115
12	ELEMENT BRACKET	6201300/6201302	6201300/6201301	6201300/6201302
13	ELEMENT	7292100	7292101	7292100
14	LOWER DISCHARGE DEFLECTOR PLATE	6582500	6582530	6582500
15	MOTOR	7551201	7551201	7551201

* CEILING HUNG BRACKET 6811811