



thermoscreens®

AIR CURTAIN COMPACT 2 SURFACE MOUNTED RANGE



INSTALLATION, OPERATION AND MAINTENANCE INSTRUCTIONS



English

1 CONTENTS

	Page
1 CONTENTS	2
2 ELECTRICAL SAFETY	3
3 SPECIFICATIONS	3
4. INTRODUCTION	4
5. DELIVERY CONTENTS	5
6. TOOLS REQUIRED	5
7. INSTALLATION	6
8. ACCESS FOR ELECTRICAL CONNECTION	9
9. EXTERNAL CONTROLS	10
10. MULTIPLE AIR CURTAIN SYSTEMS	11
11. SYSTEM CONFIGURATION	12
12. FAN SPEED SELECTION	13
13. COMMISSIONING THE SYSTEM	14
14. SIGN OFF	14
15. FAULT CONDITIONS	15
16. SERVICE & MAINTENANCE	16
17. WARRANTY	17
APPENDIX 1A — Dimensions of C2 Air Curtain Wall Mounted	18
APPENDIX 1B — Dimensions of C2 Air Curtain Ceiling Mounted	19
APPENDIX 2A — WIRING DIAGRAM C2-1000E and C2-1500E	20
APPENDIX 2B — WIRING DIAGRAM C2-2000E	21
APPENDIX 2C — WIRING DIAGRAM C2-2500E	22
APPENDIX 2D — WIRING DIAGRAM C2-1000W, C2-1500W, C2-2000W and C2-2500W	23
APPENDIX 2E — WIRING DIAGRAM C2-1000A, C2-1500A, C2-2000A and C2-2500A	24
18. DECLARATION OF CONFORMITY	25

2 ELECTRICAL SAFETY

Electrical Supply and Wiring to the Air Curtain

All electrical wiring and connections MUST be carried out by a competent qualified electrician in accordance with the latest edition of IEE wiring regulations and local statutory regulations if applicable.

- A 1 phase or 3 phase local isolator having a contact separation of at least 3mm on all poles must be fitted in the electrical supply to the air curtain and located in an accessible position adjacent to the unit.
- The appliance must be connected by cables having an appropriate heat resistant temperature rating.
- All supply cables, circuit breakers and other electrical installation equipment must be correctly sized for the air curtain model being installed; see Section 3: Specifications.
- Models operating on a 3 phase electrical supply - see Section 3: Specifications - require a neutral connection (3N~).
- A 25mm size cable gland or conduit connector of IP21 rating or above should be used for the Electrical Supply into the air curtain.
- See Wiring Diagrams for connecting electrical supply and control cables to the air curtain. The air curtain must be earthed.

3 SPECIFICATIONS

Table 1

Air Curtain Model No	Electrical Supply (V/ph/Hz)	Rated Electrical Power Input (kW)	Rated Current per phase (A)	Heat Output [Low/High] (kW)	Weight (kg)
C2-1000A	230/1/50	0.15	0.7	–	19
C2-1500A	230/1/50	0.20	0.9	–	25
C2-2000A	230/1/50	0.25	1.1	–	37
C2-2500A	230/1/50	0.35	1.6	–	44
C2-1000W	230/1/50	0.15	0.7	3 / 6	21
C2-1500W	230/1/50	0.20	0.9	4.5 / 9	30
C2-2000W	230/1/50	0.25	1.1	6 / 12	42
C2-2500W	230/1/50	0.35	1.6	7.5 / 15	51
C2-1000E	400/3/50	9.15	13.7	4.9 / 9	19
C2-1500E	400/3/50	12.20	18.3	6.5 / 12	27
C2-2000E	400/3/50	18.25	27.2	9.7 / 18	39
C2-2500E	400/3/50	21.35	32.0	11.3 / 21	46

4. INTRODUCTION

Established in the 1960s, Thermoscreens is a leading air curtain manufacturer that exports to over 60 countries worldwide.

As with all our products, the Compact 2 range of air curtains is designed with energy efficiency in mind.

Compact 2 models suffixed E, W or A are designed to be surface mounted inside a building and located horizontally over a doorway.

They must not be installed on the outside of a building or built into a cabinet or recessed in any way.

Please complete the following details for your reference:

Date of Purchase
Place of Purchase
Serial Number

Proof of purchase is required to make a claim under warranty.



thermoscreens®

Thermoscreens Ltd
St. Mary's Road
Nuneaton
Warwickshire
England
CV11 5AU

Email: sales@thermoscreens.com — <http://www.thermoscreens.com>

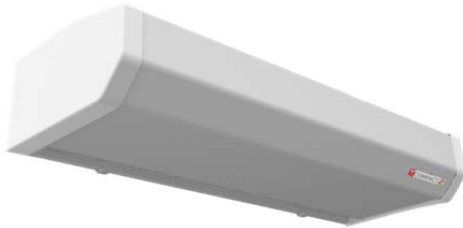
Tel: +44 (0) 24 7638 4646 — Fax: +44 (0) 24 7638 8578

5. DELIVERY CONTENTS

The following items are supplied in the box at delivery.

NOTE: If any parts are missing or damaged contact your place of purchase.

Compact 2 Surface Mounted Air Curtain



Note: End caps are supplied loose to be fitted during installation

Ceiling and wall retaining brackets with M6 Washers and Fixing bolts



**For Controller options,
refer to separate OEM
instructions supplied
with air curtain**

3-port control valve (for water heated units)



Fitted in pipework to
air curtain by installer

Outdoor Air Thermostat (Optional)



Used for simple weather
compensation control
(disables heating on a warmer day)

6. TOOLS REQUIRED

The following tools are required for installation:

- Flat blade screwdrivers
- Pozi head screwdrivers
- 10mm spanner
- Adjustable spanner
- Electric drill
- Ladders
- Appropriate lifting equipment

7. INSTALLATION

The air curtain is designed to be located horizontally over a doorway. It must not be installed outside of the building.

7.1 Location

Mount the air curtain above and as close to the doorway as possible, with:

- air curtain mounted up to a maximum 3.0m. For exposed locations, 2.5m is the recommended mounting height.
- at least 100mm clearance (air gap) above electric/water heated air curtains, see Fig 1

Beware of doorway top edges, structural beams, door opening/closure devices, etc., which may interfere with the air stream and affect the location of the unit.

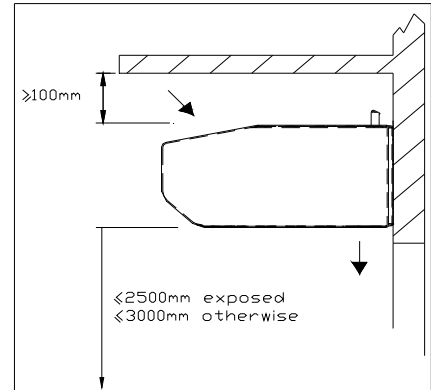


Fig 1

NOTE: For the air curtain to work well the width of the open doorway should be less than the length 'A' of the air curtain, see Appendix 1.

7.2 Wall Fixing

NOTE: Use suitable wall fixing bolts (not supplied) to fix the unit to the wall, taking into account the type of wall and the weight of the unit (see Section 3: Specifications). For wall mounting, if required, front ceiling rail from top of the air curtain may be removed.

Step 1 Fix two wall brackets above door opening with minimum **B** and maximum **C** dimensions ensuring minimum distance between brackets C_{min} . (see Appendix 1A). Ensure brackets are level with each other.

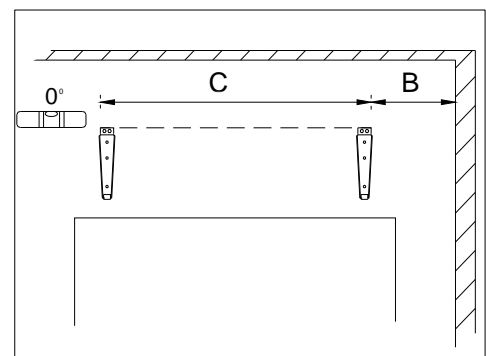


Fig 2

Step 2 Angle air curtain over doorway and place outer edge of discharge grille on lower channels of both wall brackets.

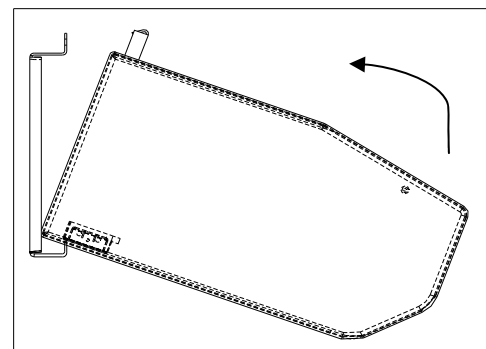


Fig 3

- Step 3** Push and hold air curtain towards wall.
Line up one hexagonal insert on each wall bracket with top rear rail slots.



Fig 4

- Step 4** Through top rear rail slots screw one M6 x 25mm fixing bolt and M6 x 20mm washer onto each wall bracket insert (see 1 and 2, Fig 5).

- Step 5** Ensure air curtain is mounted horizontal level.
Tighten all fixing bolts until the air curtain is safely secured to the wall.

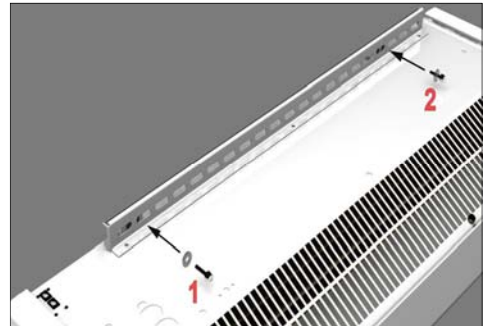


Fig 5

7.3 Ceiling Suspension

NOTE: M6 threaded rods (not supplied) are used to suspend the unit from the ceiling.

Suspend the unit from the ceiling as follows:

- Step 1** Ensure front ceiling suspension rail is fitted to air curtain.
- Step 2** Screw and bolt threaded rods into ceiling brackets as shown in Fig 6.

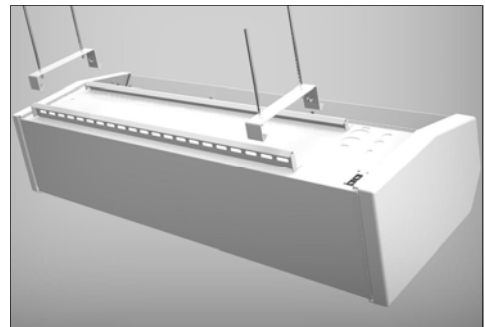


Fig 6

- Step 3** Secure each suspension rod to a suitable structure that can support the weight of the unit (see Section 3: Specifications for weights).

- Step 4** Hook each ceiling bracket into top rear and front hanging system rails as shown in Fig 7.

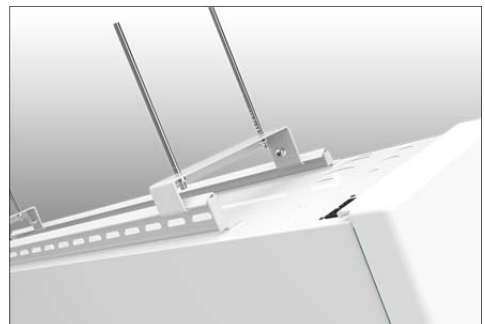


Fig 7

Step 5 Place retaining bracket on top front hanging system rail (see 1, Fig 8) and fix with M6 bolt (see 2, Fig 8). Repeat for other ceiling bracket.

Step 6 To centralise unit over doorway, carefully slide air curtain left or right. Ensure air curtain is mounted horizontal level. Tighten all fixing bolts until the air curtain is safely hanging from the ceiling.



Fig 8

NOTE: Joining Kit is available to join two air curtains together. See separate instructions supplied with Joining Kit.

WARNING: It is the sole responsibility of the installer to ensure that the fixing locations and suspension system used are suitable for the air curtain being installed.

7.4 LPHW Models

For LPHW models ensure that water isolation valves are fitted in the flow and return pipework adjacent to the air curtain connected correctly as shown in the diagram in Appendix 1.

For the design of the water pipework system and pump, water flow rates and pressure drops for maximum heat output of the air curtain are given in Table 2 below.

Table 2

Air Curtain	Water Flow Rate (l/min at 82/71°C)	Water Pressure Drop (kPa)
C2-1000W, 1-row (6kW)	7.8	4.5
C2-1500W, 1-row (9kW)	11.7	11.0
C2-2000W, 1-row (12kW)	15.6	21.0
C2-2500W, 1-row (15kW)	19.5	29.8

NOTE: Water Pressure Drop is across the flow and return pipework to the air curtain and includes for the coil fitted inside the unit and the valve fitted in the heating pipework to the unit. Water flow rates and pressure drops at different water temperatures can be calculated using the Thermoscreens coil calculation programme. Visit the Thermoscreens website for details.

The installer must connect the 3-port valve in the heating pipework as shown in Figure 9 below:

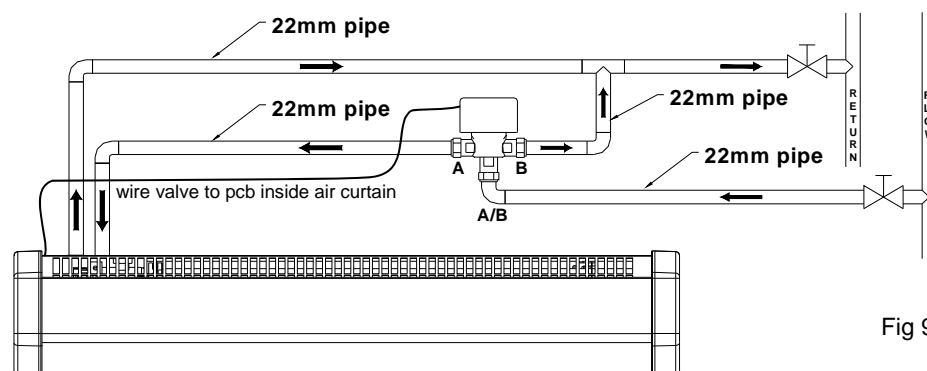


Fig 9

8. ACCESS FOR ELECTRICAL CONNECTION

8.1 How to access terminals

To gain access to the air curtain for connection and commissioning, slide out both plastic end caps and hinge open bottom access panel as explained below.

8.1.1 Remove plastic end caps

Using a Pozi No 2 screwdriver, unfasten single securing screw (see Fig 10) from each end cap.

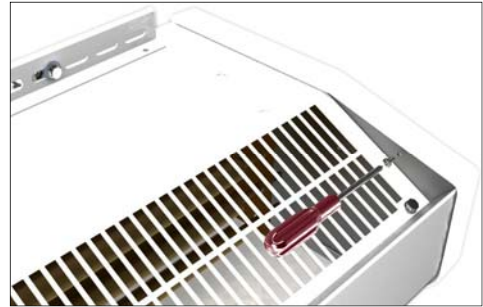


Fig 10

Carefully slide out plastic end cap from each side of the unit. All screws and end caps should be kept safe as they will be required later in the installation.

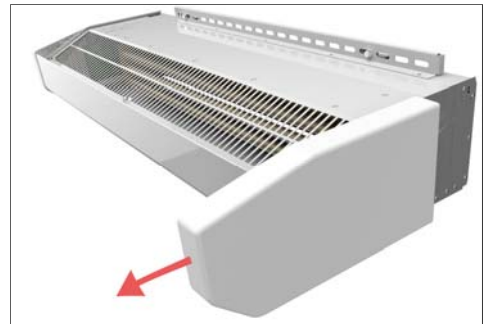


Fig 11

8.1.2 Hinge open bottom access panel

Unfasten M6 securing bolts located on the top inside lip of access panel (see 1, Fig 12).



Fig 12

Lift top edge of access panel upwards (see 2, Fig 12) and hinge panel open (see Fig 13).

NOTE: Above illustration detail wall mounted air curtain, but installation on site could just as well be ceiling mounted.



Fig 13

9. EXTERNAL CONTROLS

9.1 Remote switch contacts IN0, IN1

Terminals IN0 and IN1 on the Ecopower PCB inside the air curtain can be used to provide different control strategies using remote volt-free contacts (see Fig 14). This could be to provide remote On/Off from a timer or BMS Digital/Output contact, to work with a door switch or for simple weather compensation control to disable heating when outdoor air temperatures become warmer. Table 3 describes the different functions:

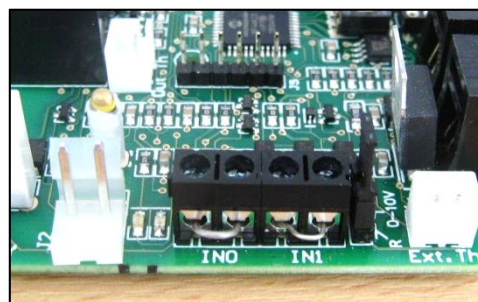
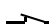

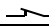

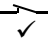

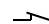
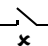


Fig 14

Table 3

Function	IN0		Notes
			
Remote On/Off (INHIBIT)	Unit operates normally in MANUAL Mode or AUTO Mode from the Remote Control	Unit switches off after 15s, with fan run-on at Medium fan speed if DIP 2 = OFF	Use the Remote Control to set up unit and then hide it away if required. * On/Off is then done via IN0 using a remote volt-free contact.

Function	IN1		DIP 4	IN0	Notes
					
Door Switch Control	After 30s the heating is disabled and the fan goes to low speed	Unit operates normally in MANUAL Mode or AUTO Mode from the Remote Control	ON		Door Open:-  Normal Control Door Closed:-  Heating Off Low Fan Speed
Summer Winter	Unit operates normally in MANUAL Mode or AUTO Mode from the Remote Control <i>COLD DAY</i>	Heating is disabled straight away, Fan speeds operate normally from the Remote Control <i>WARM DAY</i>	OFF		Simple weather compensation control using an outdoor air thermostat with volt free contacts (see Section 9.3)

NOTE: Wire volt-free, remote switch contacts to 2-way screw terminals IN0 and IN1 using 2-core cable.

WARNING: Do not apply any voltage to terminals IN0 and IN1 as this will damage the Ecopower PCB inside the air curtain.

* **NOTE:** The Ecopower Remote Control must stay plugged-in for the air curtain to keep working. An optional plug-in EEPROM is available from Thermoscreens so the Remote Control can be unplugged and the air curtain stay working. Visit the Thermoscreens website for details.

9.2 Overheat safety cut-out indication

For electric heated air curtains the Ecopower PCB includes a fault indication signal for if the overheat safety cut-out on the electric heater operates.

Volt free changeover contacts (6A 250VAC 30VDC) can be wired via the 3-way screw terminal "HEALTHY" (see Fig 15).

Refer to Section 15.1: Overheat Safety cut out, for how to reset a overheat safety cut-out situation.

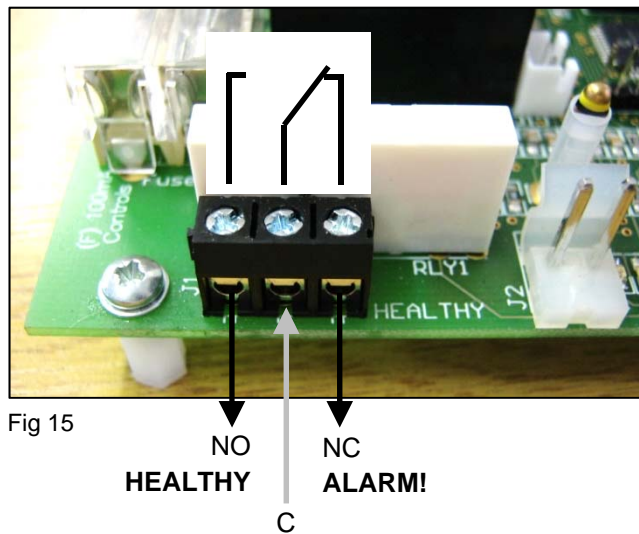


Fig 15

9.3 Weather compensation control (Summer/Winter)

To save heating energy on warmer days a simple weather compensation (Summer/Winter) heat control strategy can be used. Fit an outdoor air thermostat with volt-free contacts (supplied by the installer) to a north facing wall.

Use a 2-core cable to connect the outdoor air thermostat to 2-way terminal IN1 on the Ecopower PCB (see Fig 16)

On the Ecopower PCB, set DIP 4 to OFF as per Table 3, (see Section 9.1: Remote switch contacts IN0, IN1).

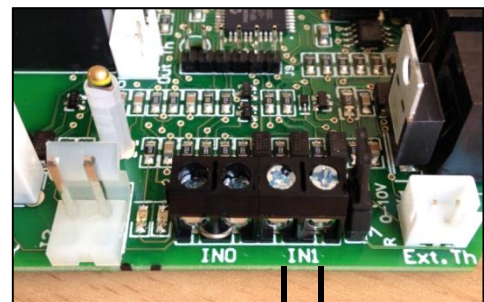


Fig 16

Switch Contact Closed = Heating Enabled (cold day)
Switch Contact Open = Heating Disabled (warm day)



Outdoor Air
Thermostat

WARNING: Do not apply any voltage to terminal IN1 as this will damage the Ecopower PCB.

NOTE: To promote increased energy saving a more advanced weather compensation control strategy is available from Thermoscreens. Using a heating curve, the discharge air temperature of the airstream coming from the air curtain is controlled against the outside air temperature. Visit the Thermoscreens website for details.

10. MULTIPLE AIR CURTAIN SYSTEMS

For master/slave control, plug and connect units together with Thermoscreen RJ extension cables (not supplied) as per Figure 17 below. Each air curtain must have its own electrical supply.

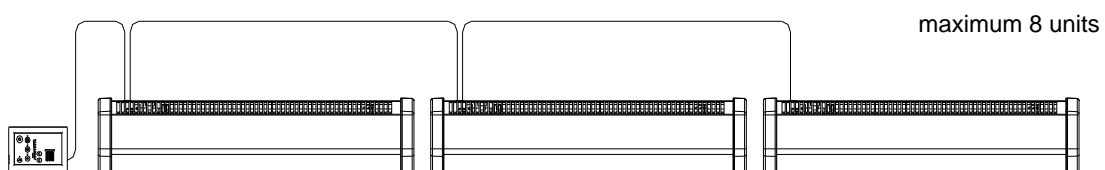


Fig 17

11. SYSTEM CONFIGURATION

11.1 Optional features

WARNING: Isolate and disconnect air curtain from the power source before making any changes.

DIP switches on the air curtain Ecopower PCB (see Fig 18) provide the following optional features, as explained below:

- Fan heat interlock
- Disable fan run-on
- Thermostat master (for master/slave installations)
- Weather compensation heat control (Summer/Winter)
- Door switch control



Fig 18

Feature	DIP setting	Default	Notes
<p>Fan heat interlock Allows fan speed to govern heat output on electric heated units.</p> <p>If low or medium fan speed is selected, a lower heat output results. High heat operates only on high fan speed.</p>	<p>DIP 1</p>	<p>ON</p> <p>Heat output is governed by fan speed.</p>	<p>This feature is only used with electric heated air curtains to limit very high air temperatures.</p> <p>Set DIP1 to OFF if unit is water heated or ambient.</p>
<p>Disable fan run-on The 2 minute fan run-on after switch off is enabled or disabled on electric heated air curtains.</p>	<p>DIP 2</p>	<p>OFF</p> <p>Fan run-on at medium speed enabled.</p>	<p>Must only be used for water heated or ambient air curtains. Each air curtain must have DIP2 set to ON for no fan run-on.</p>
<p>Thermostat master For master/slave installations. Only the air sensor in the thermostat master air curtain is used to measure air temperature.</p> <p>Set DIP 3 to ON in the air curtain that will be the master unit.</p>	<p>DIP 3</p>	<p>OFF</p> <p>Air curtains in master/slave systems all act independently.</p>	<p>Air sensor thermistors in all slave air curtains will be ignored.</p> <p>Stops some units blowing cold air and others blowing warm air in master/slave systems on larger doorways.</p>
<p>Weather compensation control or Door switch control</p> <p>Simple weather compensation control to save heating energy.</p> <p><u>or</u> Door switch control.</p>	<p>DIP 4</p>	<p>OFF</p> <p>IN1 Weather compensation</p> <p>ON</p> <p>IN1 Door switch</p>	<p>See Section 9.1 Remote Switch Contacts IN0 and IN1 for details</p> <p>Weather compensation control is the same as Summer/Winter control</p>

NOTE: ■ — Black rectangle is moveable head of DIP switch.

NOTE: A range of advanced factory fitted and plug-in control options are available from Thermoscreens to enhance the performance of the Ecopower PCB controller inside the air curtain. These include advanced weather compensation control using a heating curve, outlet air temperature control, ECObus® Modbus BMS control, modulating heater outputs and EEPROMs for non-standard control strategies. Visit the Thermoscreens website for details.

12. FAN SPEED SELECTION

Factory settings for the 3 fan speeds are shown in Table 4 below:

(refer also to wiring diagrams in Appendix 2)

Table 4

Fan Speed	Maximum air velocity at outlet grille (m/s)	Maximum air curtain mounting height (m)	Sound Pressure Level of air curtain [dB(A) at 3m]	Air Volume Flow Rate (m ³ /h) [for E & A]
HIGH (black wire)	9.0	3.0 (2.5m exposed)	C2-1000 - 50 C2-1500 - 50 C2-2000 - 51 C2-2500 - 52	1250 1800 2500 3050
MEDIUM (blue wire)	7.0	–	C2-1000 - 48 C2-1500 - 48 C2-2000 - 49 C2-2500 - 50	1140 1640 2275 2775
LOW (red wire)	5.0	–	C2-1000 - 46 C2-1500 - 46 C2-2000 - 47 C2-2500 - 48	1025 1475 2050 2500

Sound pressure levels dB(A) at 3m distance are for a single air curtain mounted at its maximum mounting height, operating in a room with average acoustic characteristics as defined in CIBSE Guide B5 (reverberation time 0.7s at 1kHz) and a room size equivalent to 8 air changes per hour (ac/h). Care needs to be taken when selecting air curtains for an installation as noise levels can be several dB higher if the mounting height is reduced, if the room is more 'live' (i.e. hard surfaces, no furnishings or absorbent materials), if the room is smaller than 8 ac/h equivalent or a combination of these factors. Noise levels will also increase if more than one air curtain is installed at the same doorway (e.g. +3dB(A) for 2 equal point sources: direct field).

13. COMMISSIONING THE SYSTEM

13.1 Verify system operation

To commission the system, verify the following conditions are met:

- All fans are working.
- Fans operate at Low, Medium and High speeds.
- There is no excessive mechanical noise coming from the fans.
- When heating is selected, the air stream from the discharge grille warms up across the whole length of the air curtain.
- When set to manual with fans set to high speed, heating increases as higher heat is selected.
- Warm air reaches across the doorway with door open or closed.
- Ecopower Remote Control operates correctly in both manual and auto modes.

NOTE: To restrict heat output for standard C2-1000E and C2-1500E air curtains, disconnect second stage heating by removing push-on terminals K1, K4 and K7 from Ecopower PCB. To convert three phase electric heated models to single phase please visit the Thermoscreens website.

13.2 Instruct customer and hand over

Before leaving site, hand over the installation to the customer/end user or their representative.

Explain that any person operating the air curtain must be given supervision and instruction by the person responsible for their safety, concerning the safe use of the unit and to understand any hazards involved. Children and those with reduced physical, sensory or mental capabilities should not operate the air curtain.

Recommend that the doorway should be closed whenever possible but that during times of high pedestrian use it will become an 'open doorway'. The air curtain then serves an essential purpose by saving energy and providing comfort to occupants.

Explain that the inlet grilles must be cleaned regularly and the unit serviced at schedule intervals – see Section 16: Service & Maintenance.

NOTE: Leave these instructions with the customer/end user or their representative!!

14. SIGN OFF

Complete the following once commissioning is completed:

Installer signature		Customer signature	
Installer name		Customer name	
Installer company		Customer company	
Date		Date	

15. FAULT CONDITIONS

15.1 Overheat Safety cut-out

An overheat fault in electric heated units may cause the overheat safety cut-out(s) to operate.

This is indicated by flashing LEDs on the Remote Control and a red status LED on the Ecopower PCB inside the air curtain.

Before resetting ensure there is adequate air flow from the air curtain and the unit has been commissioned as per Section 13.

To reset a overheat safety cut-out:

- Step 1** Switch off the electrical supply to the air curtain.
- Step 2** Allow time for the air curtain to cool down, typically 10 minutes.
- Step 3** Switch on the electrical supply to the air curtain.
- Step 4** Press the Auto button on the Ecopower remote control 4 times.

Air curtain heaters will then operate and after 30 seconds the LEDs on the remote control will stop flashing and the status LED on the Ecopower PCB in the air curtain will flash green.

15.2 Fuses

In the event of an electrical fault internal electrical fuses may operate.

There are two internal fuses located on the Ecopower PCB inside the air curtain:

- Fuse 6.3A(T) supplies the fan motors within the air curtain
- Fuse 100mA(F) controls the circuitry of the Ecopower PCB

15.3 Ecopower PCB status indication

There is a status LED on the Ecopower PCB inside the air curtain (See LED shown on Wiring Diagrams in the Appendix).

This indicates the status of the Ecopower Control system as follows:

1. LED flashing green – operation normal
2. LED flashing red – low supply voltage, remote control not plugged in or RJ cable fault
3. LED permanently red – overheat safety cut-out(s) open circuit from an overheat situation (see Section 15: Fault Conditions for how to reset)

16. SERVICE & MAINTENANCE

WARNING: Failure to adequately maintain the unit and provide a suitable cleaning schedule will result in a loss of performance and reduced life expectancy of the air-curtain and possible overheating and fire risk with electric heated units.

16.1 Every week

NOTE: Weekly maintenance can be carried out by the Cleaner or Janitor.

Turn off the air curtain to prevent dust entry and then clean top face of the air inlet using a vacuum cleaner with an extension tube and brush.

16.2 Every 3 months

WARNING: Before servicing, isolate and disconnect the air curtain from the electrical power.

WARNING: The following servicing and maintenance must be carried out by a competent electrician or a Thermoscreens appointed technician.

Clean and inspect the inside of the air curtain as follows:

- Step 1** From each plastic end cap unfasten securing screw and carefully slide out the end caps.
- Step 2** Unfasten M6 bolts from top of access panel (see Fig 12, Section 8.1.2). Lift top of access panel upwards and hinge open.
- Step 3** Clean and remove any build-up of dust and dirt within the air-curtain (inlet/outlet grilles, electric heaters, fan impellers, housings and motors) using a vacuum cleaner and soft brush.

NOTE: Build-up of dirt on fan impellers can cause vibration, noise and excessive wear on the motor bearings.

- Step 4** Check within the unit to ensure all electrical connections and crimped terminals are tight and that all cables are in good condition.

Hinge and close access panel and refit end caps after servicing. Reconnect electrical supply and test to ensure correct operation (see Section 13: Commissioning).

17. WARRANTY

All units are covered by a two year warranty.

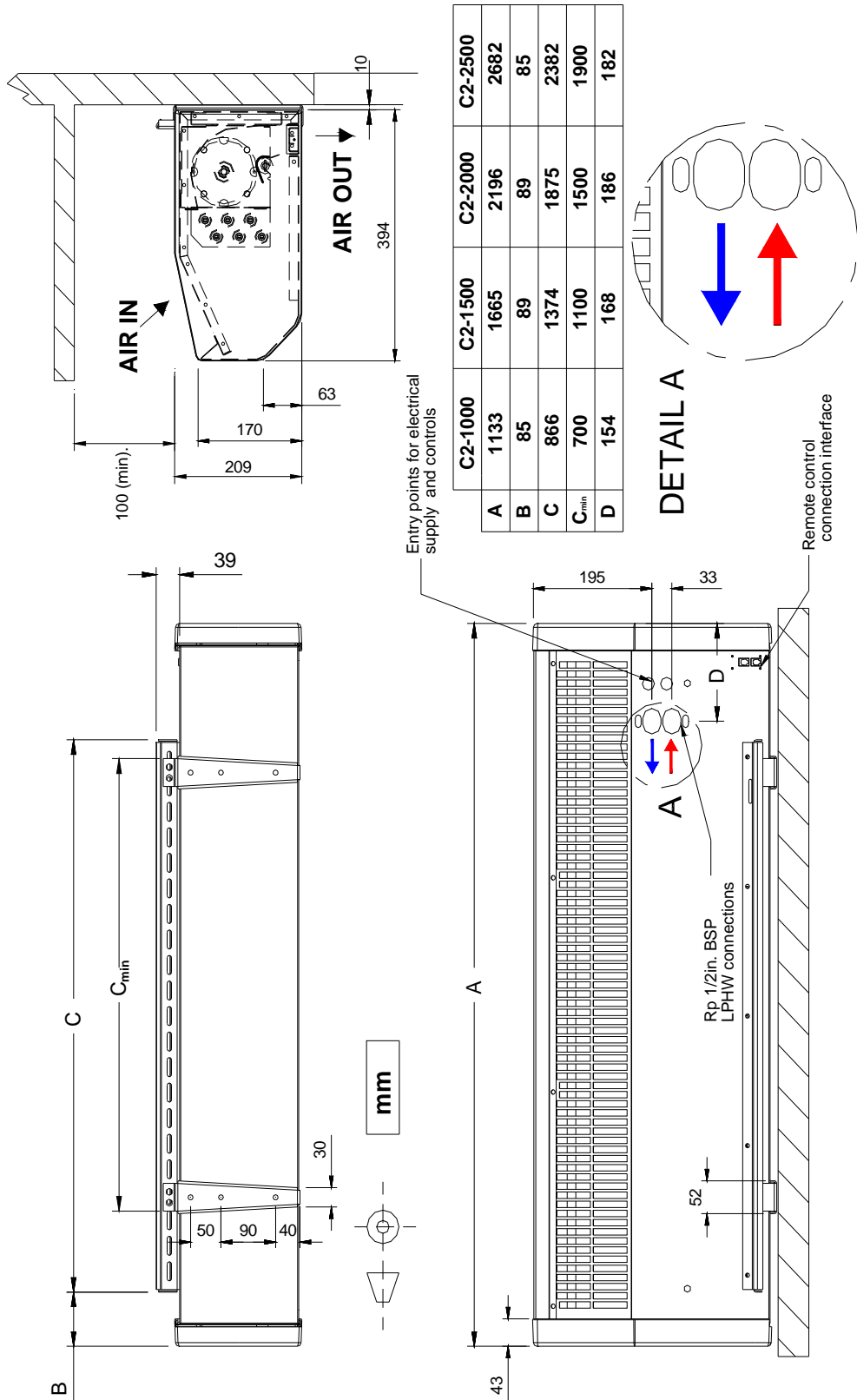
Failure to adequately maintain the unit may void the warranty. If any problems are encountered, please contact your installer/supplier.

Failing this please contact the Thermoscreens warranty department.

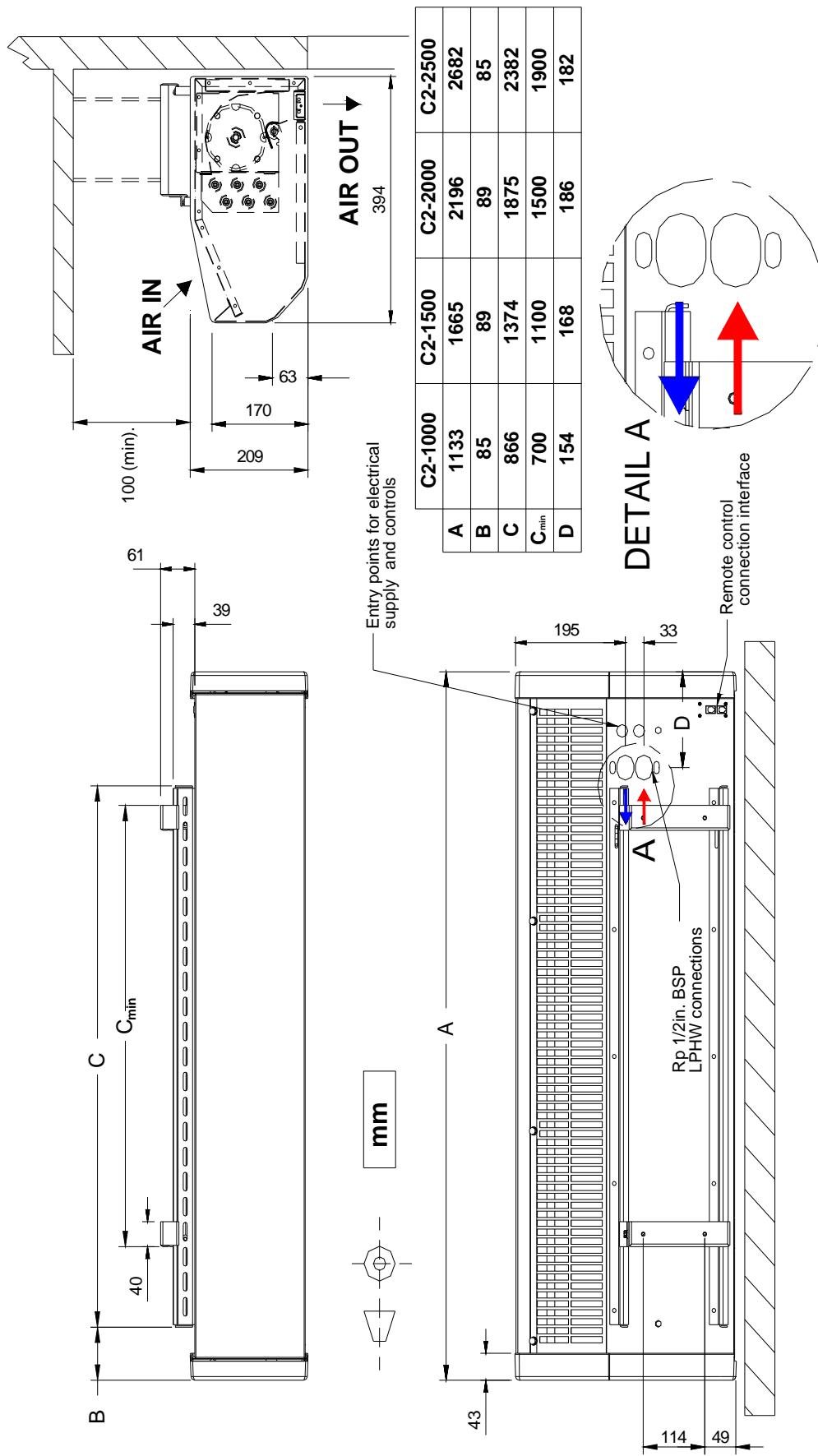
Care has been taken in compiling these instructions to ensure they are correct. Thermoscreens Ltd. disclaims all liability for damage resulting from any inaccuracies and/or deficiencies in this documentation. Thermoscreens Ltd. retain the right to change the specifications stated in these instructions.

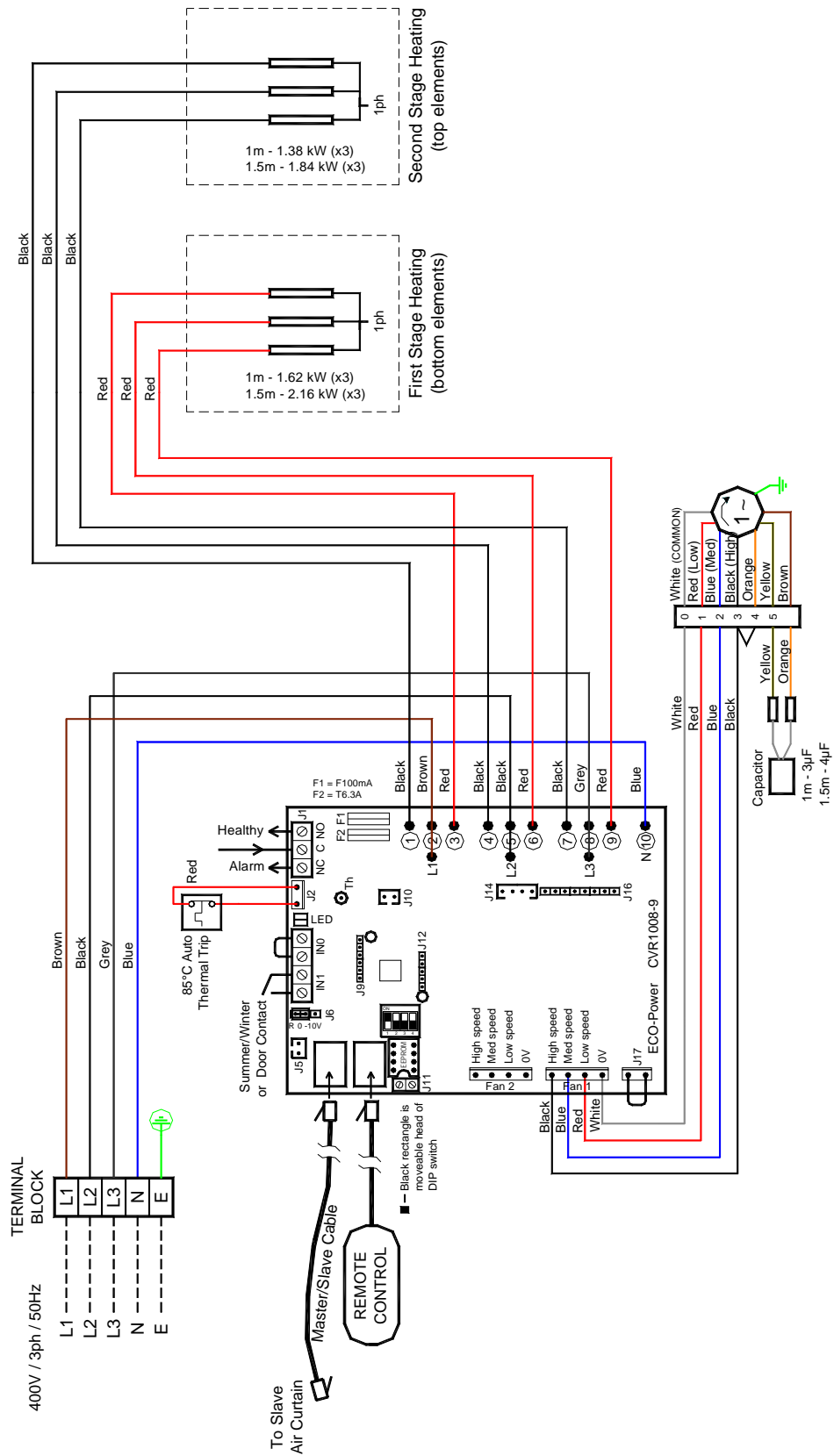
Thermoscreens Ltd
St. Mary's Road Nuneaton
Warwickshire England
CV11 5AU

Email: sales@thermoscreens.com
Tel: + 44 (0) 24 7638 4646
Fax: + 44 (0) 24 7638 8578
www.thermoscreens.com

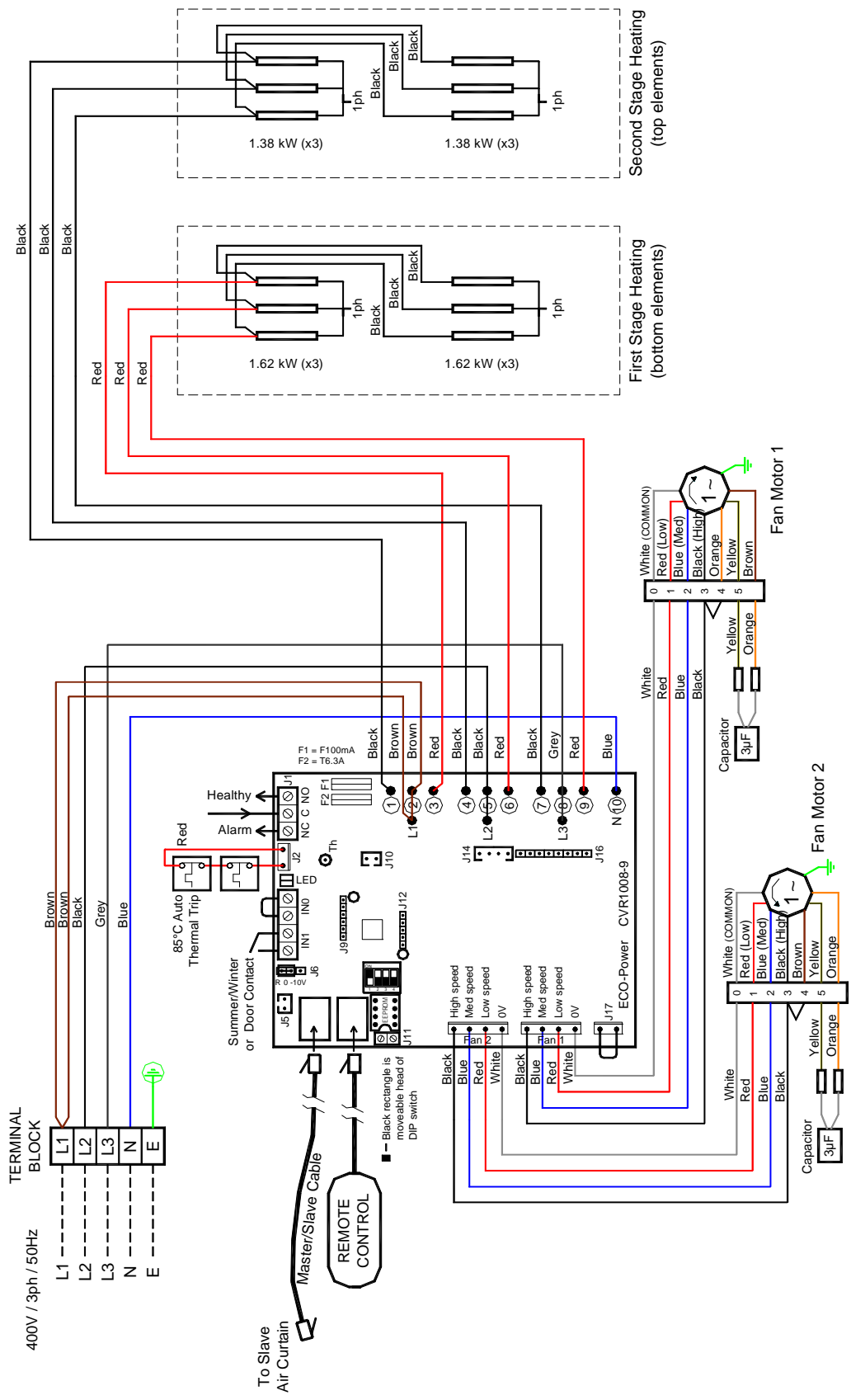


APPENDIX 1A — Dimensions of C2 Air Curtain Wall Mounted

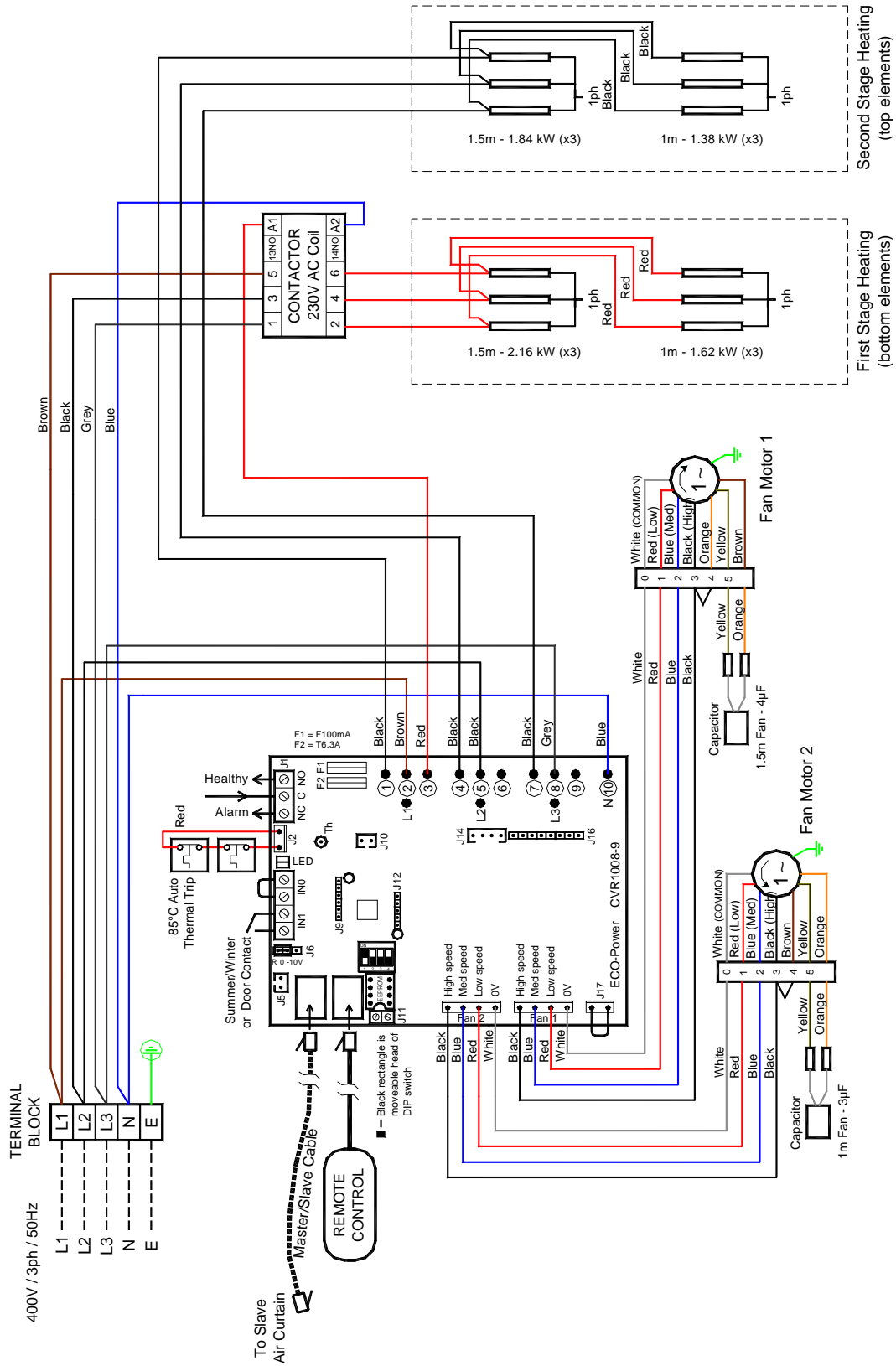




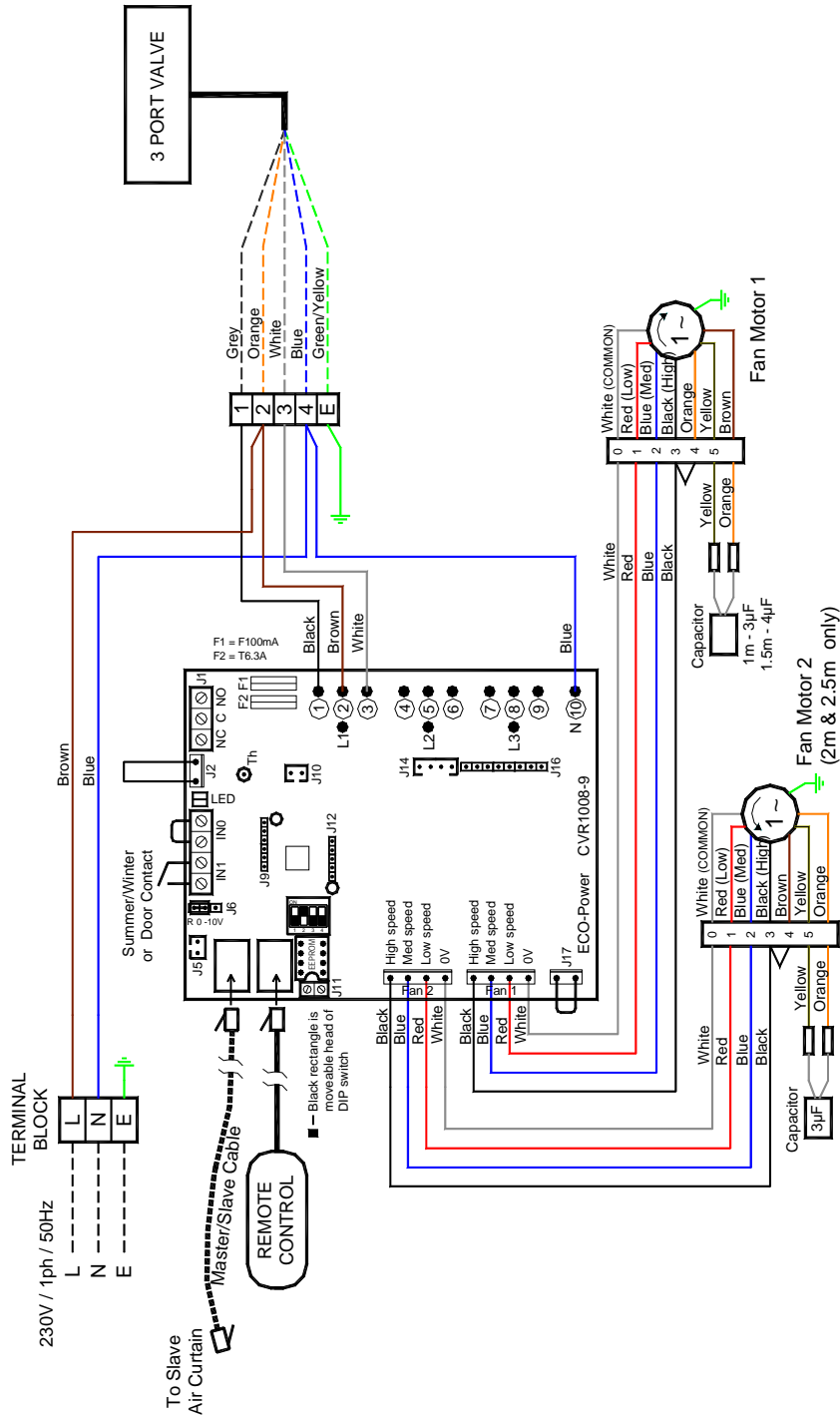
APPENDIX 2A — WIRING DIAGRAM C2-1000E and C2-1500E



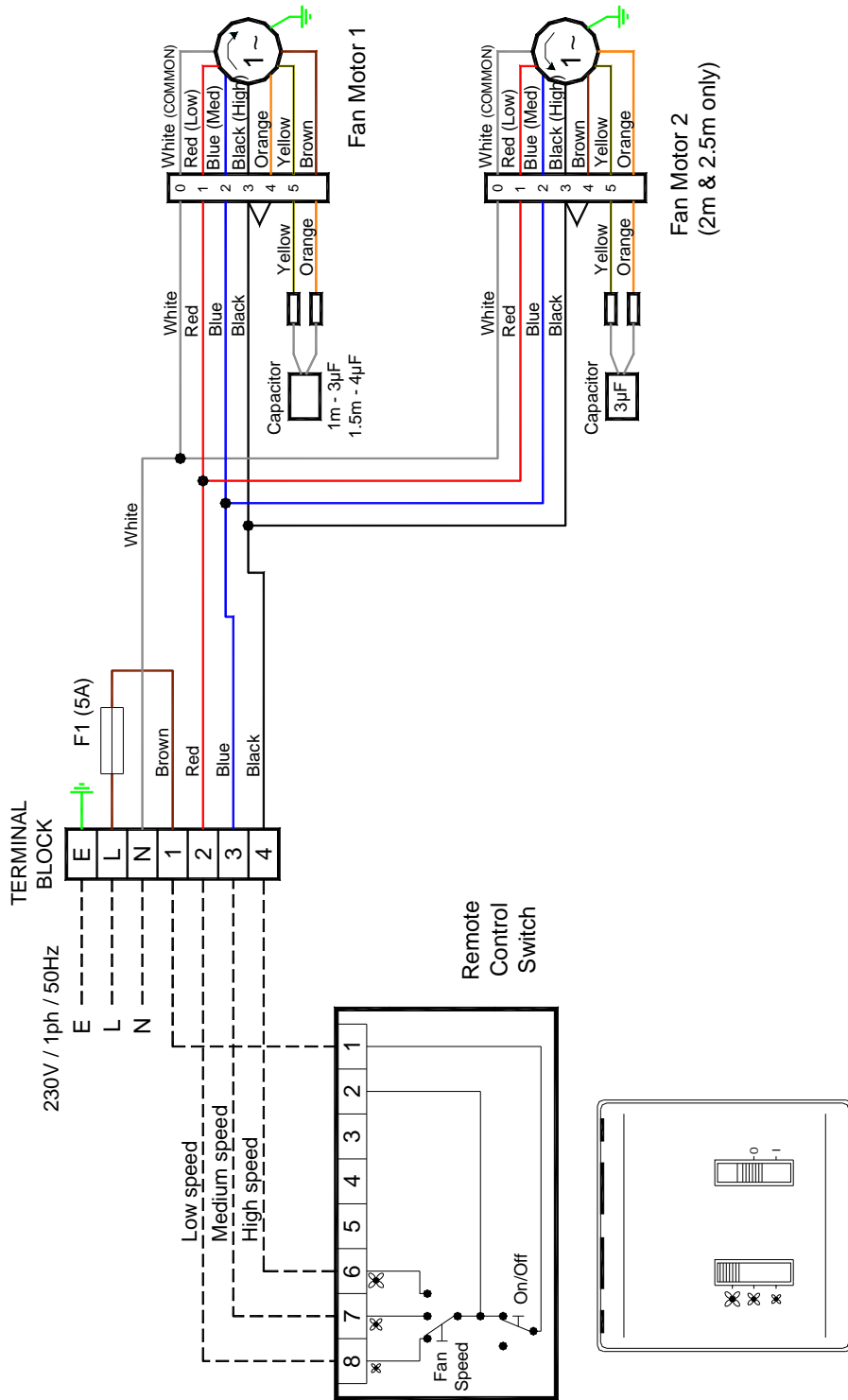
APPENDIX 2B — WIRING DIAGRAM C2-2000E



APPENDIX 2C — WIRING DIAGRAM C2-2500E



APPENDIX 2D — WIRING DIAGRAM C2-1000W, C2-1500W, C2-2000W and C2-2500W



APPENDIX 2E — WIRING DIAGRAM C2-1000A, C2-1500A, C2-2000A and C2-2500A

18. DECLARATION OF CONFORMITY

Thermoscreens Ltd.
St. Mary's Road
Nuneaton
Warwickshire
CV11 5AU
United Kingdom
Telephone: +44 (0)24 7638 4646
www.thermoscreens.com



EC DECLARATION OF CONFORMITY
as defined by the EC Council Directive on Machinery 2006/42/EC,
the Low Voltage Directive 2014/35/EU, Electromagnetic Compatibility Directive 2014/30/EU,
the Energy related Products Directive 2009/125/EC

Herewith we declare that the air movement equipment designated below, on the basis of its design and construction in the form brought onto the market by us in accordance with the relevant safety, health and performance requirements of the Machinery.
If alterations are made to the machinery without prior consultations with us, this declaration becomes invalid.

Designation of Equipment: AIR CURTAINS

Series Type: C2-1000A; C2-1000E; C2-1000W; C2-1500A; C2-1500E; C2-1500W;
C2-2000A; C2-2000E; C2-2000W; C2-2500A; C2-2500E; C2-2500W
(in Casing Styles: Surface Mount)

Relevant EC Council Directives: the Machinery Directive (2006/42/EC)
the Low Voltage Directive (2014/35/EU)
the Electromagnetic Compatibility Directive (2014/30/EU)
the Energy related Products Directive (2009/125/EC)

Applied Harmonised Standards: Machinery - BS EN ISO 12100:2010, BS EN ISO 13857:2008
LVD - EN 60335-1:2012+A11:2014, EN 60335-2-30:2009+A11:2012
EMC - EN 61000-6-1:2007, EN 61000-6-3:2007+A1:2011,
EN 61000-3-2:2014, EN 61000-3-3:2013
ErP - Commission Regulation (EU) No.327/2011,
ISO 5801:2007, ISO 12759:2010

Basis of Self Attestation: Quality Assurance to BS EN ISO 9001: 2008
B.S.I. Registered Firm Certificate Number FM 85224
SGS Test Report ELS150049/2/R/DC/11;
SGS Test Report EMC150049/1
CE Marking Association Test Report 6799, 6800, 7255 and 7285

Responsible Person: Mr. J.Rogers, Managing Director, Thermoscreens Ltd.

Date: 31 March 2016

Signed: