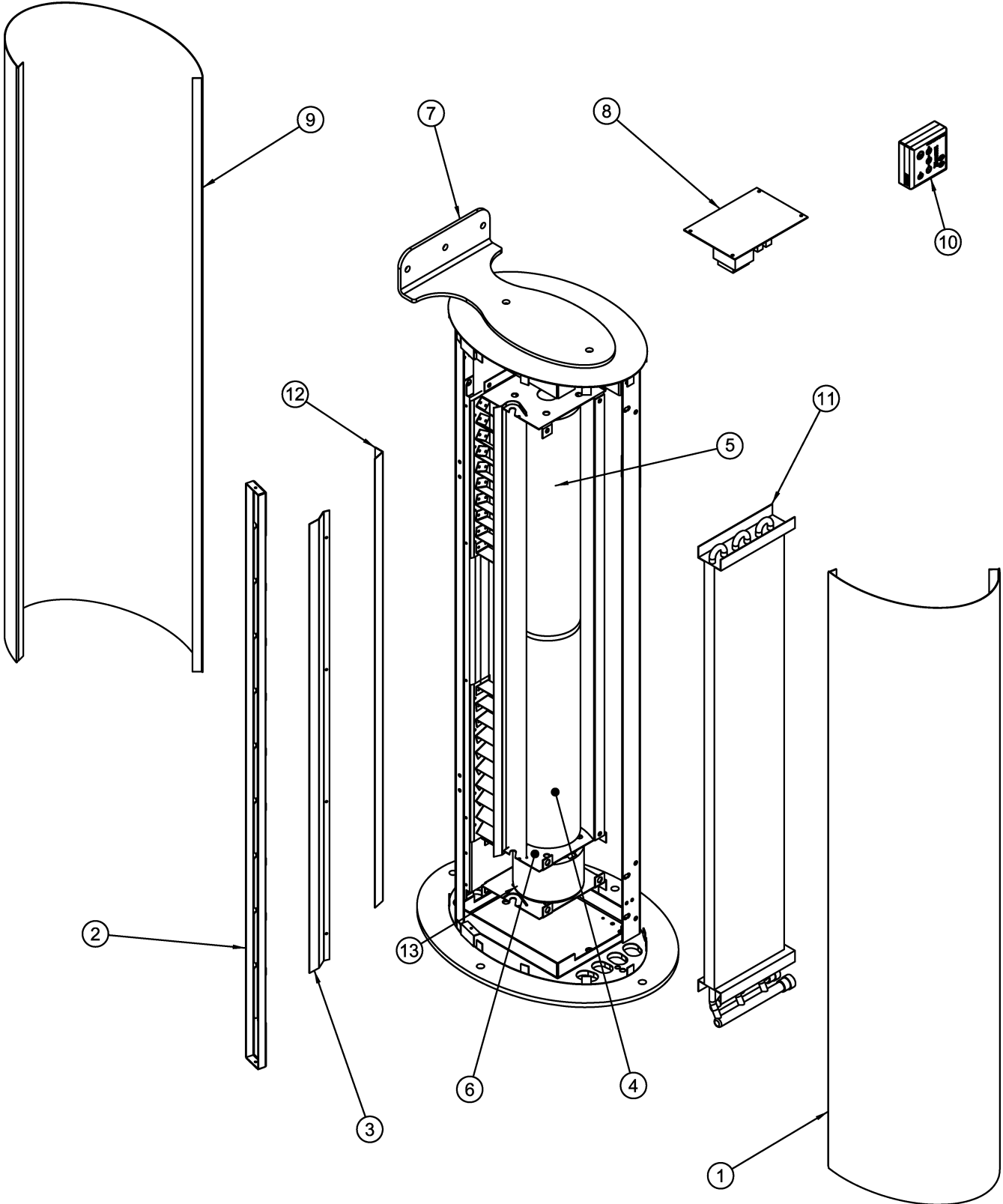




C Series Designer.

Vertical

Water Heated Range



RIGHT HAND UNIT SHOWN



C Series Designer.

Vertical

Water Heated Range

Item No.	Description	D1000W V - Part No.	D1500W V - Part No.	D2000W V - Part No.
1	ACCESS PANEL	5061002	5062002	5063002
2	OUTLET GRILLE	5332905	5332906 / 5332907	5332908 / 5332909
3	UPPER DISCHARGE DEFLECTOR PLATE	6582510	6582520	6582510
4	MOTOR END IMPELLOR	7421240	7421250	7421240
5	DRIVEN END IMPELLOR	-	7421251	7421241
6	FAN DECK ASSEMBLY - RH MODEL	5252463	5252356	5252463
	FAN DECK ASSEMBLY - LH MODEL	5252461	5252462	5252461
7	WALL BRACKET	6811810	6811810	6811810
8	ECOPOWER BOARD	7263701	7263701	7263701
9	BACK PANEL	5061001	5062001	5063001
10	ECOPOWER REMOTE CONTROL	7263630	7263630	7263630
11	WATER COIL	7101410	7101430	7101350
12	LOWER DISCHARGE DEFLECTOR PLATE	6582500	6582530	6582500
13	MOTOR	7551201	7551201	7551201