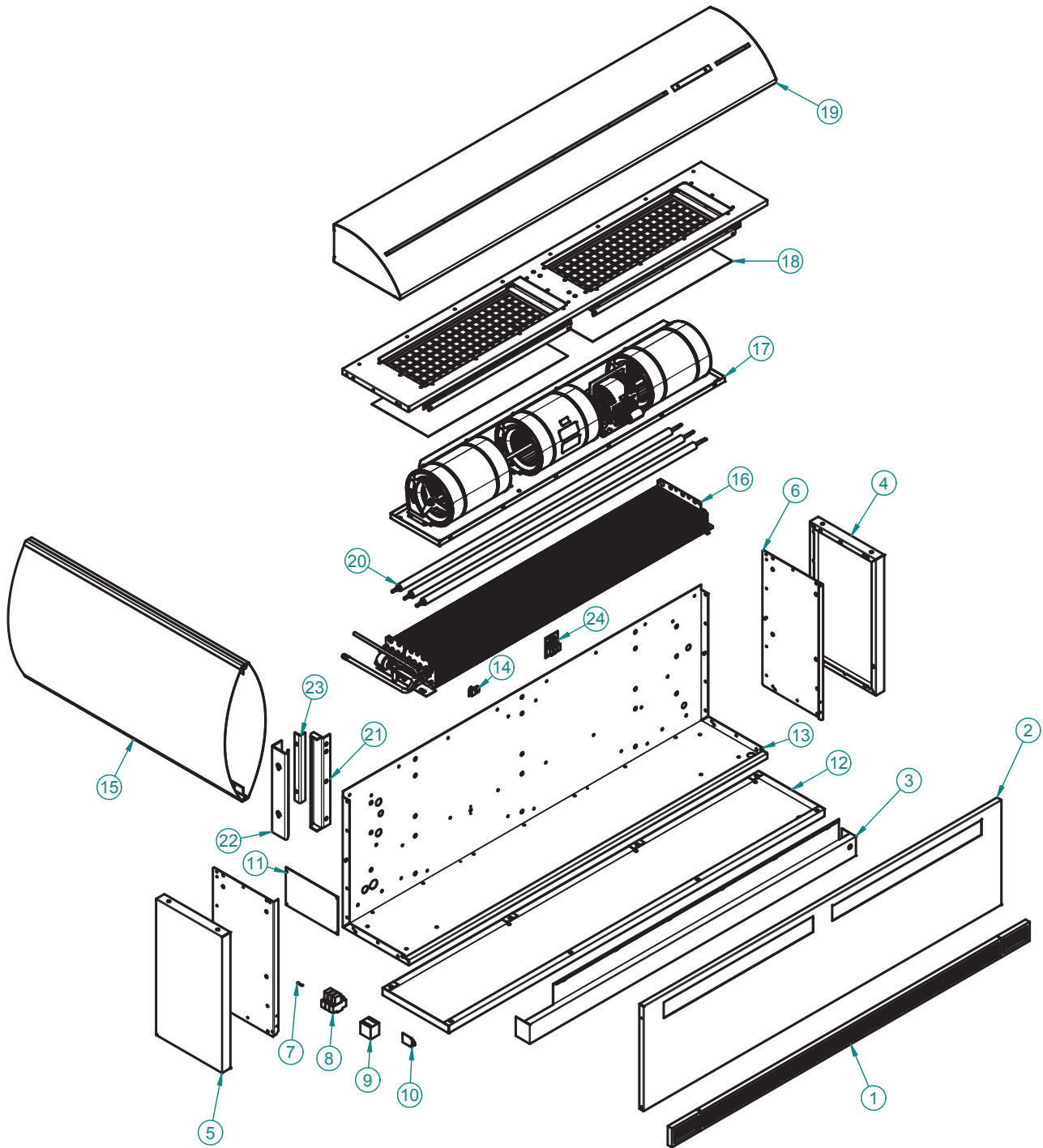


HX2 M DXE

Surface Mounted Heat Pump Air Curtain (VRF)



HX2 M DXE.

Surface Mounted Heat Pump Air Curtain (VRF)

HX2 M DXE Surface Mount (VRF)					
Item	Description	HX2 1000	HX2 1500	HX2 2000	HX2 2500
1	OUTLET GRILLE	5332530	5332535	5332540	5332545
2	ACCESS DOOR	7600290	7600245	7600187	7600020
3	DRAIN TRAY	6511346	6511347	6511348	6511349
4	END CAP - RH	6602435	6602435	6602435	6602435
5	END CAP - LH	6602430	6602430	6602430	6602430
6	INNER END PANEL LH/RH	5071007	5071007	5071007	5071007
7	T5A FUSE	7240050	7240050	7240050	7240050
8	12V DC RELAY	7760175	7760175	7760175	7760175
9	CONTACTOR	7220210	7220210	7220210	7220210
10	DIRTY FILTER PCB ASS'Y	7851200	7851200	7851200	7851200
11	mitsubishi BOARD PAC-IF010-E	7263604	7263604	7263604	7263604
12	REAR COVER	7600490	7600500	7600510	7600520
13	BACK CASE	6022545	6022535	6022540	6022530
14	THERMAL CUT OUT	7851160	7851160	7851160	7851160
15	HX2 DROP COVER SET	6812005 (x2)	6812017 (x3)	6812016 (x3)	6812015 (x3)
16	VRF DX COIL INC LEV	7101525	7101535	7101575	7101590
17	EC FAN DECK	5252460	5252465	5252460	5252460 5252465
18	AIR FILTER	7402710	7402715	7402720	7402725
19	INLET PLENUM	6933100	6933150	6933200	6933250
20	ELECTRIC ELEMENT	7292100	7292240	7292235	7292235
21	HANGING BRACKET SHORT	6501310	6501310	6501310	6501310
22	HANGING HOOK	6501350	6501350	6501350	6501350
23	RETAINING BRACKET	6501265	6501265	6501265	6501265
24	ECDC RELAY BOARD	7264057	7264057	7264057	7264057