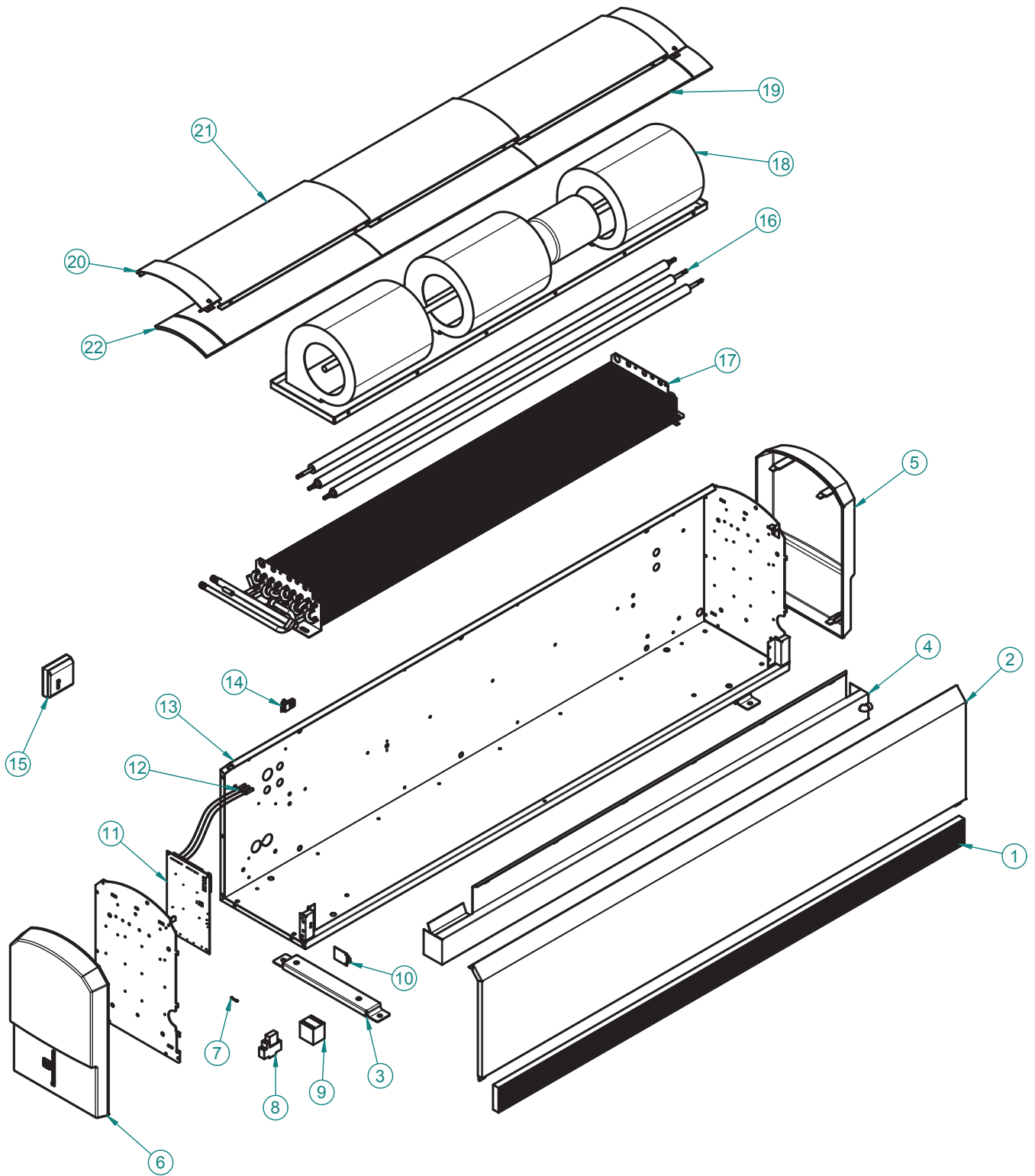


# HP DXE.

## Surface Mounted Heat Pump Air Curtain (Mr Slim)



# HP DXE.

## Surface Mounted Heat Pump Air Curtain (Mr Slim)

HP DXE Surface Mount (Mr Slim)				
Item No.	Description	HP1000DXE	HP1500DXE	HP2000DXE
1	OUTLET GRILLE	5332500	5332510	5332520
2	FRONT PANEL	6782470	6782505	6782510
3	WALL BRACKET	6532400	6532400	6532400
4	DRAIN TRAY	6511499	6511509	6511519
5	END CAP - RH	7661205	7661205	7661205
6	END CAP - LH	7661204	7661204	7661204
7	T5A FUSE	7240050	7240050	7240050
8	2 POLE RELAY 230V & BASE	7760170	7760170	7760170
9	CONTACTOR	7220210	7220210	7220210
10	DIRTY FILTER PCB ASS'Y	7851200	7851200	7851200
11	MITSUBISHI BOARD PAC-IF010B-E	7263604	7263604	7263604
12	THERMISTOR SENSOR	7263606	7263606	7263606
13	BACK CASE	6022500	6022505	6022510
14	THERMAL CUT OUT	7851160	7851160	7851160
15	REMOTE 3-SPEED FAN SWITCH	5142460	5142460	5142460
16	ELECTRIC ELEMENT	7292100	7292240	7292235
17	DX COIL	7101520	7101540	7101570
18	FAN DECK	5252425	5252445	5252425
19	AIR FILTER	7402520	7402520	7402520
20	INLET GRILLE INFIL	5312480	5312480	5312480
21	INLET GRILLE	5312470	5312470	5312470
22	INFIL AIR FILTER	7402525	7402525	7402525