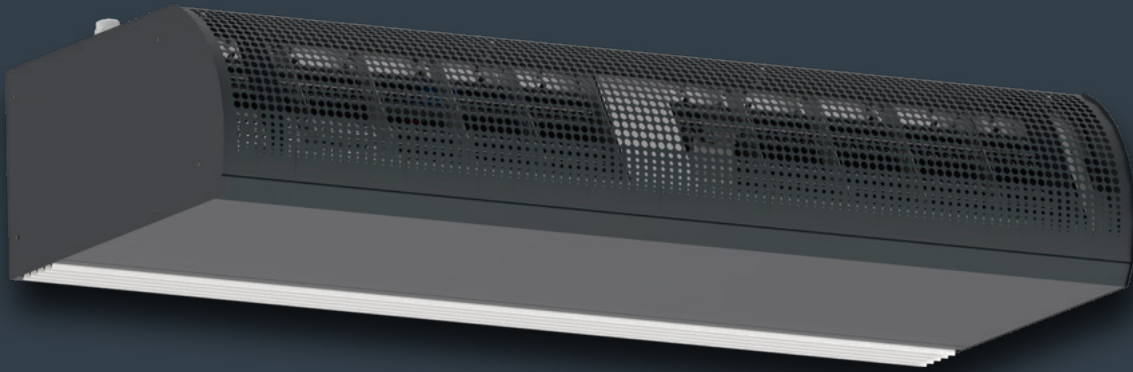


PHVX Series.

A powerful solution for high-velocity applications.



Robust and reliable, Thermoscreens PHVX Air Curtains are designed for exposed doorways that require higher than normal air velocity. Perfect for hotels, airports and commercial buildings, they will provide extremely efficient climate separation for doorways up to 15ft (4.5m). Available in sizes from 3ft to 6ft (0.9m to 1.8m).

Sizes (Width)

3ft, 4ft, 5ft, 6ft /
0.9m, 1.2m, 1.5m, 1.8m

Mounting Height

Up to 15ft / 4.5m

Colour

7016 Grey Anthracite
(RAL colour matching available)

Warranty

2 years (Parts Only)

Key features.



Water



Electric



Ambient



EC

A powerful solution for exposed doorways
Ambient, water or electric heated
Suitable for mounting height up to 15ft (4.5m)
Ecopower energy saving controls
BMS ready
Last man switch friendly
Powerful, efficient airflow
Directionally adjustable outlet grille
Surface or recessed mounted
High-efficiency heating element (electric)





Metric

Ambient Surface Mounted

Model	Dimensions (mm)	Electrical supply (V/ph/Hz)	Max Rated Electrical Power Input (kW)	Max Rated Current (A)	Air Volume (m ³ /h)	Heating Output (kW)	Effective Width Of Airstream (m)	Max Mounting Height (m)	Weight (kg)	Noise Level (dB(A)@3m) **
PHVX3A	913 x 772 x 397	208/1/60	0.8	3.3	2600	--	0.9	4.5	82	69.0
PHVX4A	1222 x 772 x 397	208/1/60	0.7	4.9	3100	--	1.2	4.5	92	73.5
PHVX5A	1531 x 772 x 397	208/1/60	1.3	5.2	4500	--	1.5	4.5	114	74.3
PHVX6A	1840 x 772 x 397	208/1/60	1.3	5.2	5200	--	1.8	4.5	125	77.3

Ambient Recessed

Model	Dimensions (mm)	Electrical supply (V/ph/Hz)	Max Rated Electrical Power Input (kW)	Max Rated Current (A)	Air Volume (m ³ /h)	Heating Output (kW)	Effective Width Of Airstream (m)	Max Mounting Height (m)	Weight (kg)	Noise Level (dB(A)@3m) **
PHVX3AR	913 x 1107 x 405	208/1/60	0.8	3.3	2600	--	0.9	4.5	86	69.0
PHVX4AR	1222 x 1107 x 405	208/1/60	0.7	4.9	3100	--	1.2	4.5	100	73.5
PHVX5AR	1531 x 1107 x 405	208/1/60	1.3	5.2	4500	--	1.5	4.5	122	74.3
PHVX6AR	1840 x 1107 x 405	208/1/60	1.3	5.2	5200	--	6	4.5	136	77.3

Water Surface Mounted

Model	Dimensions (mm)	Electrical supply (V/ph/Hz)	Max Rated Electrical Power Input (kW)	Max Rated Current (A)	Air Volume (m ³ /h)	Heating Output (kW)	Effective Width Of Airstream (m)	Max Mounting Height (m)	Weight (kg)	Noise Level (dB(A)@3m) **
PHVX3W	913 x 772 x 397	208/1/60	0.8	3.3	2600	18.9	0.9	4.5	90	69.0
PHVX4W	1222 x 772 x 397	208/1/60	0.7	4.9	3100	24.7	1.2	4.5	95	73.5
PHVX5W	1531 x 772 x 397	208/1/60	1.3	5.2	4500	34.7	1.5	4.5	116	74.3
PHVX6W	1840 x 772 x 397	208/1/60	1.3	5.2	5200	41.4	1.8	4.5	127	77.3

Water Recessed

Model	Dimensions (mm)	Electrical supply (V/ph/Hz)	Max Rated Electrical Power Input (kW)	Max Rated Current (A)	Air Volume (m ³ /h)	Heating Output (kW)	Effective Width Of Airstream (m)	Max Mounting Height (m)	Weight (kg)	Noise Level (dB(A)@3m) **
PHVX3WR	913 x 1107 x 405	208/1/60	0.8	3.3	2600	18.9	0.9	4.5	96	69.0
PHVX4WR	1222 x 1107 x 405	208/1/60	0.7	4.9	3100	24.7	1.2	4.5	102	73.5
PHVX5WR	1531 x 1107 x 405	208/1/60	1.3	5.2	4500	34.7	1.5	4.5	124	74.3
PHVX6WR	1840 x 1107 x 405	208/1/60	1.3	5.2	5200	41.4	6	4.5	138	77.3



Metric

Electric Surface Mounted

Model	Dimensions (mm)	Electrical supply (V/ph/Hz)	Max Rated Electrical Power Input (kW)	Max Rated Current (A)	Air Volume (m ³ /h)	Heating Output (kW)	Effective Width Of Airstream (m)	Max Mounting Height (m)	Weight (kg)	Noise Level (dB(A)@3m)**
208 Volt										
PHVX3E208	913 x 772 x 397	208/3/60	14.8	42.2	2600	14	0.9	4.5	91	69.0
PHVX4E208	1222 x 772 x 397	208/3/60	14.7	43.8	3100	14	1.2	4.5	95	73.5
PHVX5E208	1531 x 772 x 397	208/3/60*	29.3	83.0	4500	28	1.5	4.5	116	74.3
PHVX6E208	1840 x 772 x 397	208/3/60*	29.3	83.0	5200	28	1.8	4.5	127	77.3
480 Volt										
PHVX3E480	913 x 772 x 397	480/3/60	14.4	18.4	2600	14	0.9	4.5	91	69.0
PHVX4E480	1222 x 772 x 397	480/3/60	14.3	19.1	3100	14	1.2	4.5	95	73.5
PHVX5E480	1531 x 772 x 397	480/3/60	28.5	36.2	4500	28	1.5	4.5	116	74.3
PHVX6E480	1840 x 772 x 397	480/3/60	28.6	36.2	5200	28	1.8	4.5	127	77.3
600 Volt										
PHVX3E600	913 x 772 x 397	600/3/60	14.3	14.8	2600	14	0.9	4.5	91	69.0
PHVX4E600	1222 x 772 x 397	600/3/60	14.3	15.6	3100	14	1.2	4.5	95	73.5
PHVX5E600	1531 x 772 x 397	600/3/60	28.5	29.0	4500	28	1.5	4.5	116	74.3
PHVX6E600	1840 x 772 x 397	600/3/60	28.5	29.0	5200	28	1.8	4.5	127	77.3

* This unit needs to use two external supplies of the same voltage.

** Theoretical sound pressure based on a room of a volume of 296m³ and reverberation time of 1.0s with the unit source at 3m. If installation differs from this considerations sound pressure value will need to be recalculated.

Electric Recessed

Model	Dimensions (mm)	Electrical supply (V/ph/Hz)	Max Rated Electrical Power Input (kW)	Max Rated Current (A)	Air Volume (m ³ /h)	Heating Output (kW)	Effective Width Of Airstream (m)	Max Mounting Height (m)	Weight (kg)	Noise Level (dB(A)@3m)**
208 Volt										
PHVX3E208R	913 x 1107 x 405	208/3/60	14.8	42.2	2600	14	0.9	4.5	96	69.0
PHVX4E208R	1222 x 1107 x 405	208/3/60	14.7	43.8	3100	14	1.2	4.5	102	73.5
PHVX5E208R	1531 x 1107 x 405	208/3/60*	29.3	83.0	4500	28	1.5	4.5	124	74.3
PHVX6E208R	1840 x 1107 x 405	208/3/60*	29.3	83.0	5200	28	1.8	4.5	138	77.3
480 Volt										
PHVX3E480R	913 x 1107 x 405	480/3/60	14.4	18.4	2600	14	0.9	4.5	96	69.0
PHVX4E480R	1222 x 1107 x 405	480/3/60	14.3	19.1	3100	14	1.2	4.5	102	73.5
PHVX5E480R	1531 x 1107 x 405	480/3/60	28.6	36.2	4500	28	1.5	4.5	124	74.3
PHVX6E480R	1840 x 1107 x 405	480/3/60	28.6	36.2	5200	28	1.8	4.5	138	77.3
600 Volt										
PHVX3E600R	913 x 1107 x 405	600/3/60	14.3	14.8	2600	14	0.9	4.5	96	69.0
PHVX4E600R	1222 x 1107 x 405	600/3/60	14.3	15.4	3100	14	1.2	4.5	102	73.5
PHVX5E600R	1531 x 1107 x 405	600/3/60	28.5	29.0	4500	28	1.5	4.5	124	74.3
PHVX6E600R	1840 x 1107 x 405	600/3/60	28.5	29.0	5200	28	1.8	4.5	138	77.3

* This units needs to use two external supplies of the same voltage.

** Theoretical sound pressure based on a room of a volume of 296m³ and reverberation time of 1.0s with the unit source at 3 m. If installation differs from this considerations sound pressure value will need to be recalculated.



Imperial

Ambient Surface Mounted

Model	Dimensions (inches)	Electrical supply (V/ph/Hz)	Rated Electrical Power Input (kW)	Rated Current (A)	Air Volume (cfm)	Heating Output (Btu/h)	Effective Width Of Airstream (ft)	Max Mounting Height (ft)	Weight (lbs)	Noise Level (dB@3m)
PHVX3A	36.0 x 30.3 x 15.6	208/1/60	0.8	3.3	1530	--	3	15	181	69.0
PHVX4A	48.1 x 30.3 x 15.6	208/1/60	0.7	4.9	1825	--	4	15	203	73.5
PHVX5A	60.2 x 30.3 x 15.6	208/1/60	1.3	5.2	2649	--	5	15	251	74.3
PHVX6A	72.4 x 30.3 x 15.6	208/1/60	1.3	5.2	3060	--	6	15	276	77.3

Ambient Recessed

Model	Dimensions (inches)	Electrical supply (V/ph/Hz)	Rated Electrical Power Input (kW)	Rated Current (A)	Air Volume (cfm)	Heating Output (Btu/h)	Effective Width Of Airstream (ft)	Max Mounting Height (ft)	Weight (lbs)	Noise Level (dB@3m)
PHVX3AR	35.9 x 43.5 x 15.9	208/1/60	0.8	3.3	1530	--	3	15	190	69.0
PHVX4AR	48.1 x 43.5 x 15.9	208/1/60	0.7	4.9	1825	--	4	15	220	73.5
PHVX5AR	60.2 x 43.5 x 15.9	208/1/60	1.3	5.2	2649	--	5	15	269	74.3
PHVX6AR	72.4 x 43.5 x 15.9	208/1/60	1.3	5.2	3060	--	6	15	300	77.3

Water Surface Mounted

Model	Dimensions (inches)	Electrical supply (V/ph/Hz)	Rated Electrical Power Input (kW)	Rated Current (A)	Air Volume (cfm)	Heating Output max (Btu/h) @ 82/71°C	Effective Width Of Airstream (ft)	Max Mounting Height (ft)	Weight (lbs)	Noise Level (dB@3m)
PHVX3W	36.0 x 30.3 x 15.6	208/1/60	0.8	3.3	1530	112.6	3	15	198	69.0
PHVX4W	48.1 x 30.3 x 15.6	208/1/60	0.7	4.9	1825	129.6	4	15	209	73.5
PHVX5W	60.2 x 30.3 x 15.6	208/1/60	1.3	5.2	2649	214.9	5	15	256	74.3
PHVX6W	72.4 x 30.3 x 15.6	208/1/60	1.3	5.2	3060	221.8	6	15	280	77.3

Water Recessed

Model	Dimensions (inches)	Electrical supply (V/ph/Hz)	Rated Electrical Power Input (kW)	Rated Current (A)	Air Volume (cfm)	Heating Output max (Btu/h) @ 82/71°C	Effective Width Of Airstream (ft)	Max Mounting Height (ft)	Weight (lbs)	Noise Level (dB@3m)
PHVX3WR	35.9 x 43.5 x 15.9	208/1/60	0.8	3.3	1530	112.6	3	15	212	69.0
PHVX4WR	48.1 x 43.5 x 15.9	208/1/60	0.7	4.9	1825	129.6	4	15	225	73.5
PHVX5WR	60.2 x 43.5 x 15.9	208/1/60	1.3	5.2	2649	214.9	5	15	273	74.3
PHVX6WR	72.4 x 43.5 x 15.9	208/1/60	1.3	5.2	3060	221.8	6	15	304	77.3



Imperial

Electric Surface Mounted

Model	Dimensions (inches)	Electrical supply (V/ph/Hz)	Rated Electrical Power Input (kW)	Rated Current (A)	Air Volume (cfm)	Heating Output (kW)	Effective Width Of Airstream (ft)	Max Mounting Height (ft)	Weight (lbs)	Noise Level (dB(A)@3m)**
208 Volt										
PHVX3E208	36.0 x 30.3 x 15.6	208/3/60	15.0	43.8	1530	47.8	3	15	201	69.0
PHVX4E208	48.1 x 30.3 x 15.6	208/3/60	15.0	43.8	1825	47.8	4	15	209	73.5
PHVX5E208	60.2 x 30.3 x 15.6	208/3/60*	29.5	82.7	2649	95.5	5	15	256	74.3
PHVX6E208	72.4 x 30.3 x 15.6	208/3/60*	29.5	82.7	3060	95.5	6	15	280	77.3
480 Volt										
PHVX3E480	36.0 x 30.3 x 15.6	480/3/60	15.0	18.9	1530	47.8	3	15	201	69.0
PHVX4E480	48.1 x 30.3 x 15.6	480/3/60	15.0	18.9	1825	47.8	4	15	209	73.5
PHVX5E480	60.2 x 30.3 x 15.6	480/3/60	29.5	36.8	2649	95.5	5	15	256	74.3
PHVX6E480	72.4 x 30.3 x 15.6	480/3/60	29.5	36.8	3060	95.5	6	15	280	77.3
600 Volt										
PHVX3E600	36.0 x 30.3 x 15.6	600/3/60	15.0	15.1	1530	47.8	3	15	201	69.0
PHVX4E600	48.1 x 30.3 x 15.6	600/3/60	15.0	15.1	1825	47.8	4	15	209	73.5
PHVX5E600	60.2 x 30.3 x 15.6	600/3/60	29.5	29.4	2649	95.5	5	15	256	74.3
PHVX6E600	72.4 x 30.3 x 15.6	600/3/60	29.5	29.4	3060	95.5	6	15	280	77.3

* This unit needs to use two external supplies of the same voltage.

** Theoretical sound pressure based on a room of a volume of 10383ft³ and reverberation time of 1.0s with the unit source at 9.8ft. If installation differs from this considerations sound pressure value will need to be recalculated.

Electric Recessed

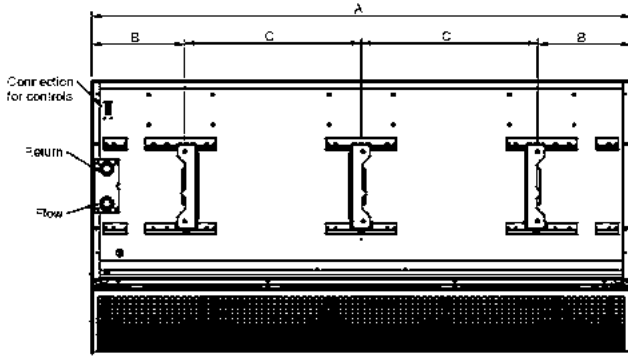
Model	Dimensions (inches)	Electrical supply (V/ph/Hz)	Rated Electrical Power Input (kW)	Rated Current (A)	Air Volume (cfm)	Heating Output (kW)	Effective Width Of Airstream (ft)	Max Mounting Height (ft)	Weight (lbs)	Noise Level (dB(A)@3m)**
208 Volt										
PHVX3E208R	35.9 x 43.5 x 15.9	208/3/60	15.0	43.8	1530	47.8	3	15	212	69.0
PHVX4E208R	48.1 x 43.5 x 15.9	208/3/60	15.0	43.8	1825	47.8	4	15	225	73.5
PHVX5E208R	60.2 x 43.5 x 15.9	208/3/60*	29.5	82.7	2649	95.5	5	15	273	74.3
PHVX6E208R	72.4 x 43.5 x 15.9	208/3/60*	29.5	82.7	3060	95.5	6	15	304	77.3
480 Volt										
PHVX3E480R	35.9 x 43.5 x 15.9	480/3/60	15.0	18.9	1530	47.8	3	15	212	69.0
PHVX4E480R	48.1 x 43.5 x 15.9	480/3/60	15.0	18.9	1825	47.8	4	15	225	73.5
PHVX5E480R	60.2 x 43.5 x 15.9	480/3/60	29.5	36.8	2649	95.5	5	15	273	74.3
PHVX6E480R	72.4 x 43.5 x 15.9	480/3/60	29.5	36.8	3060	95.5	6	15	304	77.3
600 Volt										
PHVX3E600R	35.9 x 43.5 x 15.9	600/3/60	15.0	15.1	1530	47.8	3	15	212	69.0
PHVX4E600R	48.1 x 43.5 x 15.9	600/3/60	15.0	15.1	1825	47.8	4	15	225	73.5
PHVX5E600R	60.2 x 43.5 x 15.9	600/3/60	29.5	29.4	2649	95.5	5	15	273	74.3
PHVX6E600R	72.4 x 43.5 x 15.9	600/3/60	29.5	29.4	3060	95.5	6	15	304	77.3

* This unit needs to use two external supplies of the same voltage.

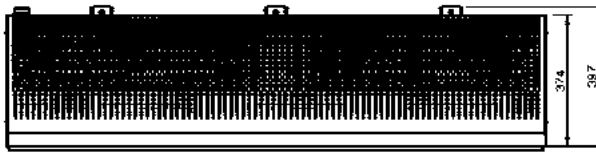
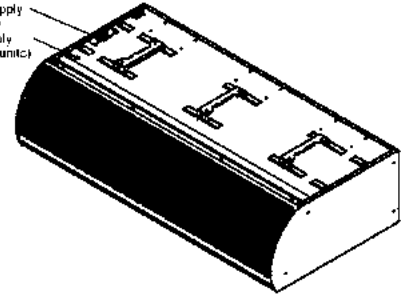
** Theoretical sound pressure based on a room of a volume of 10383ft³ and reverberation time of 1.0s with the unit source at 9.8ft. If installation differs from this considerations sound pressure value will need to be recalculated.



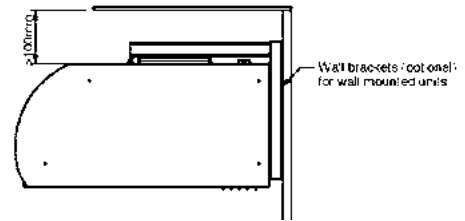
Surface Mounted



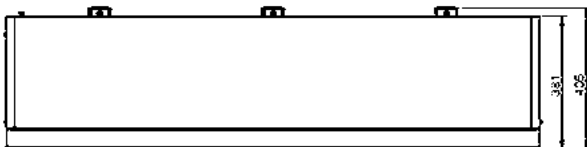
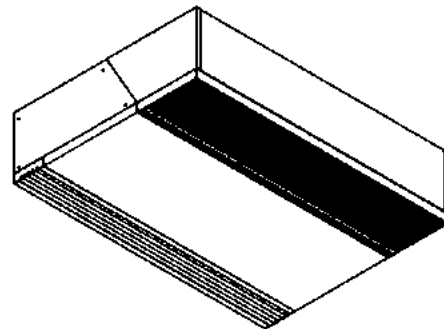
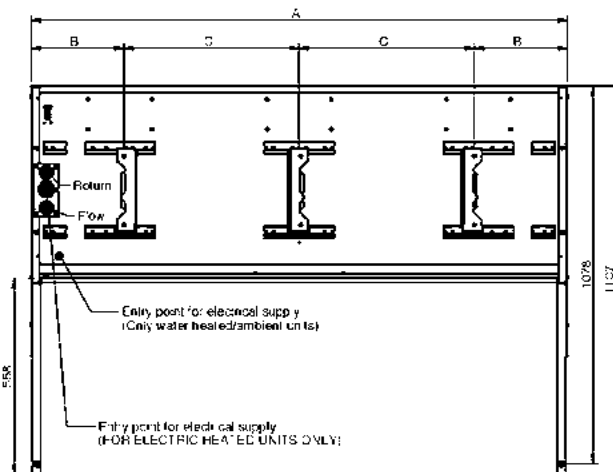
Entry point for electrical supply
(Only electric heated units)
Entry point for electrical supply
(Only water heated/ambient units)



MODEL	A	B	C	Brackets	Drop rod
PHVX3E/A/W	913	265	--	2	4
PHVX4E/A/W	1222	265	--	2	4
PHVX5E/A/W	1531	265	500	3	6
PIVX6E/A/W	1840	265	750	3	6



Recessed



MODEL	A	B	C	Brackets	Rod drops
PHVX3E/A/W	913	265	--	2	4
PIVX4E/A/W	1222	265	--	2	4
PHVX5E/A/W	1531	265	500	3	6
PHVX6E/A/W	1840	265	750	3	6

Your environment is our expertise.

Thermoscreens were one of the pioneers of modern air curtain technology, and we remain at the forefront of its evolution today. Our sales team work hand-in-hand with an international network of distributors, providing solutions to customers of all types and sizes, in more than 50 countries. Across the globe, our name is synonymous with the highest quality standards; our products renowned for their energy efficiency, reliability and ease of use.

