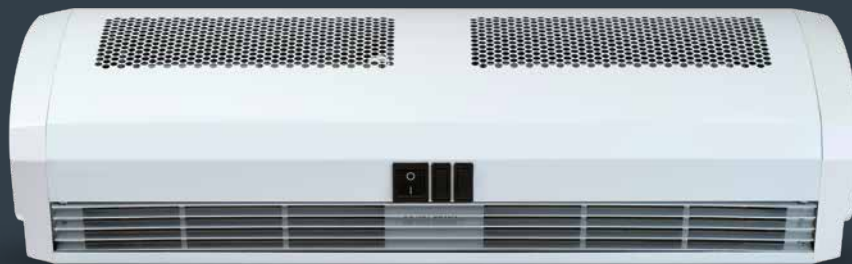


Jet Series.

The ideal solution for small spaces.



The Jet overdoor heater provides warmth and comfort to the surrounding area. This makes them an ideal solution for doorways that are not used that often and are normally kept closed.

Key features.



Electric

- Energy efficient localised room heating
- Electric heated
- Built-in rocker style switch
- Two heat settings (half/full)
- Adjustable angle mounting bracket optimises airflow direction

Size (Length)

Jet 3 - 600mm

Jet 6 - 800mm

Mounting Height

n/a

Colour

Standard RAL 9010 (Off-White)

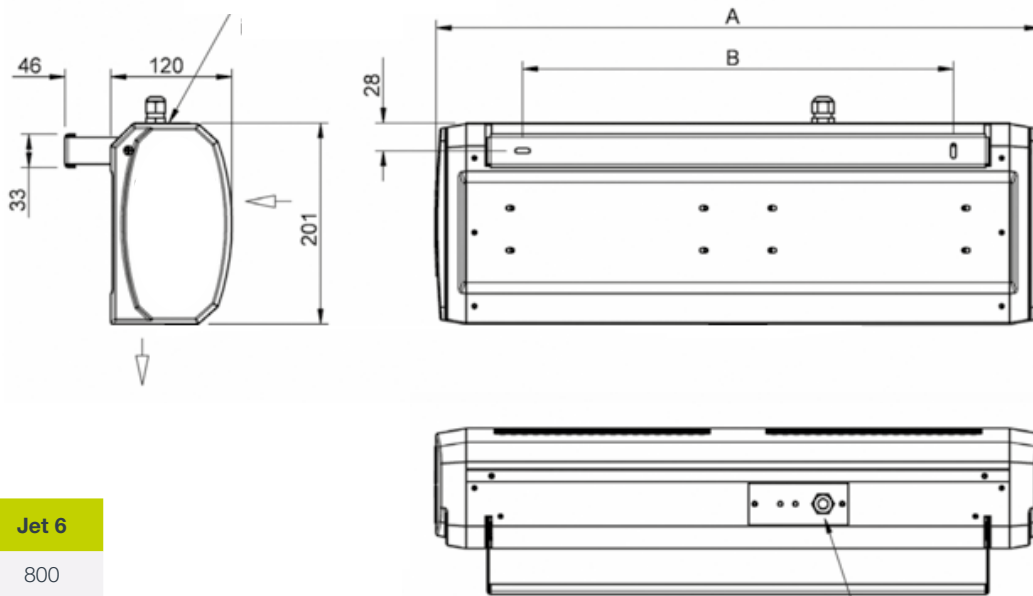
Warranty

1 year parts only



Jet Series Surface Mounted								
Model	Dimensions (L x W x D) (mm)	Supply (50Hz)	Heat output (kW)	Amps	Max velocity (m/s)	Max air volume (m ³ /h)	Weight (kg)	Noise output dB(A) @3m
Electric								
Jet 3 (HO)	600x120x201	208V~1Ph, 60Hz	1.13/2.25	12	6.0	200	4.5	46.5
Jet 6	800x120x201	208V~1Ph, 60Hz	2.25/4.50	25	8.0	370	5.5	56.0

Electrical Supply Unit



Electrical Supply Unit

Jet 3 (HO) Jet 6

A (mm)	600	800
B (mm)	425	625

Your environment is our expertise.

Thermoscreens were one of the pioneers of modern air curtain technology, and we remain at the forefront of its evolution today. Our sales team work hand-in-hand with an international network of distributors, providing solutions to customers of all types and sizes, in more than 50 countries. Across the globe, our name is synonymous with the highest quality standards; our products renowned for their energy efficiency, reliability and ease of use.

