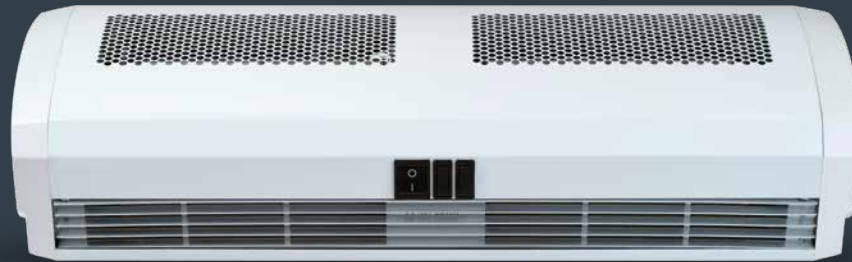


Jet Series.

The ideal solution for small spaces.



The **Jet** overdoor heater provides warmth and comfort to the surrounding area. This makes them an ideal solution for doorways that are not used that often and are normally kept closed.

Key features.



Electric

- Energy efficient localised room heating
- Electric heated
- Built-in rocker style switch
- Two heat settings (half/full)
- Adjustable angle mounting bracket optimises airflow direction

Size (Length)

Jet 3+ - 600mm

Jet 6 - 800mm

Mounting Height

n/a

Colour

Standard RAL 9016 (Off-

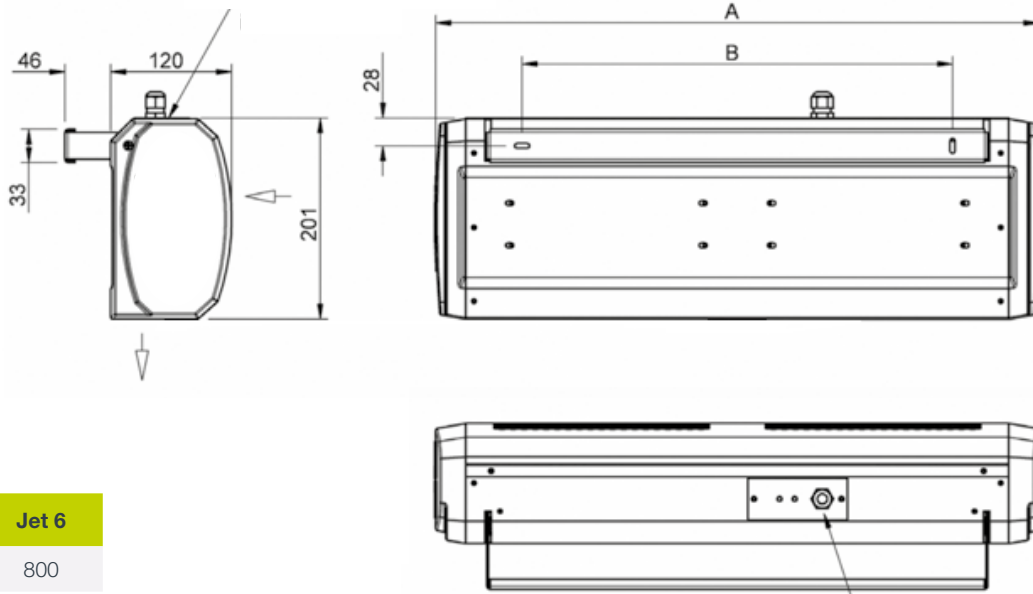
White) **Warranty**

1 year parts only



Jet Series Surface Mounted								
Model	Dimensions (L x W x D) (mm)	Supply (50Hz)	Heat output (kW)	Amps	Max velocity (m/s)	Max air volume (m ³ /h)	Weight (kg)	Noise output dB(A) @3m
Electric								
Jet 3+	600x120x201	208V~1Ph, 60Hz	1.13/2.25	12	6.0	200	4.5	46.5
Jet 6	800x120x201	208V~1Ph, 60Hz	2.46/4.91	25	8.0	370	5.5	56.0

Electrical Supply Unit



Electrical Supply Unit

	Jet 3+	Jet 6
A (mm)	600	800
B (mm)	425	625